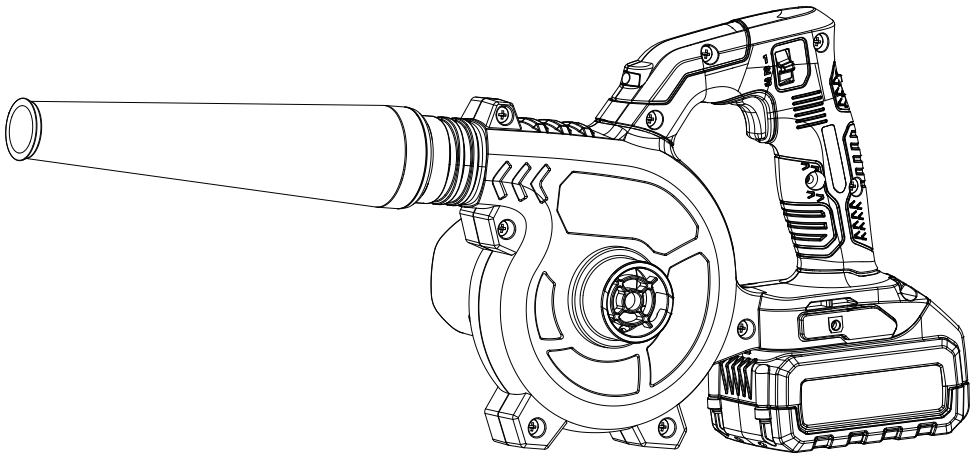




20V MAX LITHIUM ION BLOWER AND VACUUM

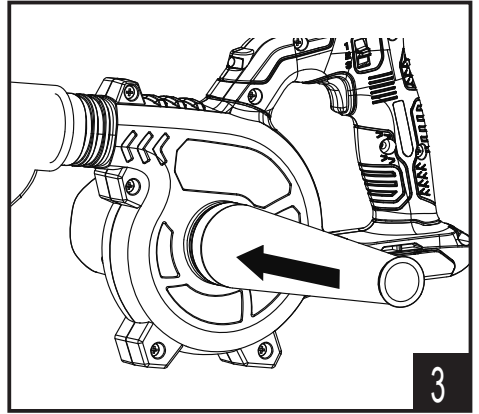
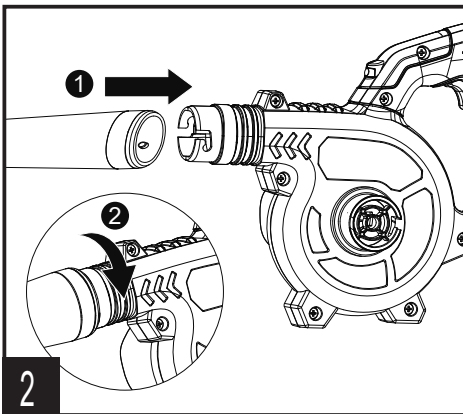
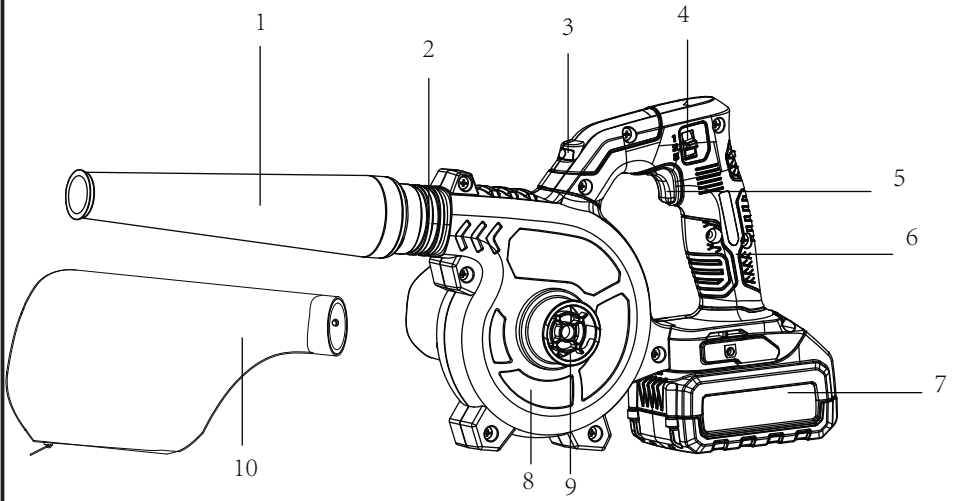
Model: BLVX2-M-EU
BLVX2-M-EU-0



For customer service please find all information on www.senixtools.com
CAUTION: BEFORE USING THIS PRODUCT, READ THIS MANUAL AND
FOLLOW ALL ITS SAFETY RULES AND OPERATING INSTRUCTIONS.

ORIGINAL INSTRUCTIONS

1



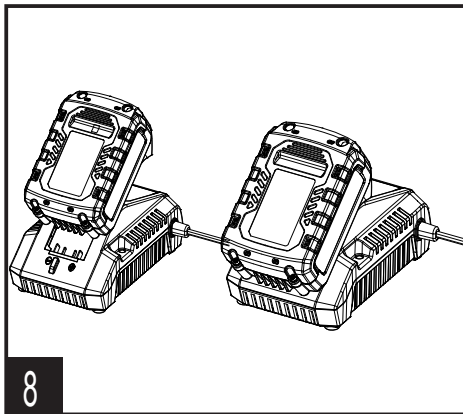
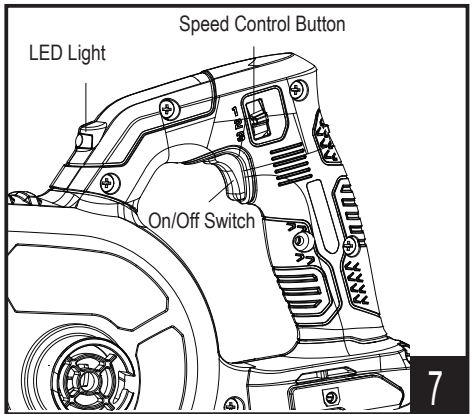
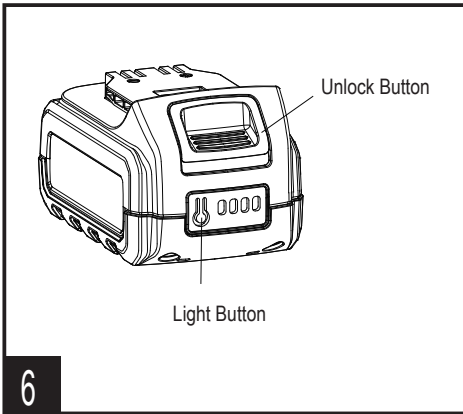
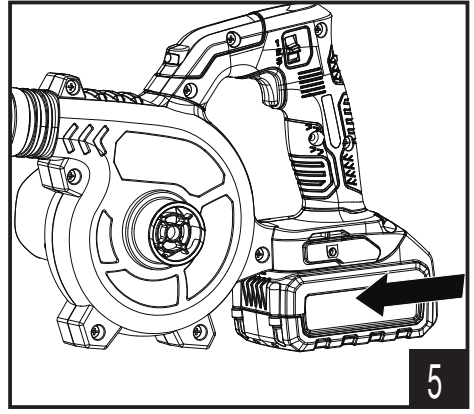
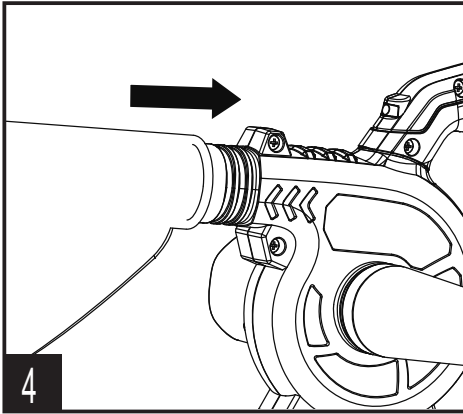


TABLE OF CONTENTS

SAFETY & INTERNATIONAL SYMBOLS	4
SAFETY INSTRUCTIONS.....	5
KNOW YOUR UNIT.....	14
SPECIFICATIONS*.....	14
ASSEMBLY.....	15
OPERATION.....	16
MAINTENANCE.....	18
TROUBLESHOOTING.....	19

SAFETY & INTERNATIONAL SYMBOLS

Explanation of Safety & international symbols describes safety and international symbols and pictographs that may appear on this product. Read the operator's manual for complete safety, assembly, operating and maintenance and repair information.



Caution / Warning.



To reduce the risk of injury, user must read instruction manual.



Wear eye protection.



Wear hearing protection.



Wear respiratory protection.



Wear protective gloves.



Wear Sturdy, non-slip footwear.



Do not use in rain or wet conditions.



Keep bystanders a safe distance away from the work area.



Thrown objects can ricochet and result in personal injury or property damage.



Rotating blades. Keep hands and feet away from the openings, while the machine is running.



Do not dispose of battery packs in rivers or immerse in water.



Do not dispose of battery packs in fire. They will explode and cause injury.



Use and store the battery within an temperature below 50°C.



Do not disassemble, crush, heat above 100°C; Never expose the battery to microwaves or high pressures.



Indoor use only. Only use battery charger indoors.



Single mark of circulation of products on the market of the Member States of the Customs Union.



Waste electrical products should not be disposed of with household waste. Please recycle where facilities exist. Check with your Local Authority or local store for recycling advice.



Crossed out dust bin. Batteries and battery packs should not be disposed of with household waste. Please recycle where facilities exist. Check with your Local Authority or local store for recycling advice.

SAFETY INSTRUCTIONS

GENERAL POWER TOOL SAFETY WARNINGS

WARNING!

Read all safety warnings and all instructions. Failure to follow the warnings and instructions may result in electric shock, fire and/or serious injury.

Save all warnings and instructions for future reference.

The term "power tool" in the warnings refers to your mains-operated (corded) power tool or battery-operated (cordless) power tool.

1) Work Area Safety

- a) Keep work area clean and well lit. Cluttered or dark areas invite accidents.
- b) Do not operate power tools in explosive atmospheres, such as in the presence of flammable liquids, gases or dust. Power tools create sparks which may ignite the dust or fumes.
- c) Keep children and bystanders away while operating a power tool. Distractions can cause you to lose control.

2) Electrical Safety

- a) Power tool plugs must match the outlet. Never modify the plug in any way. Do not use any adapter plugs with earthed (grounded) power tools. Unmodified plugs and matching outlets will reduce risk of electric shock.
- b) Avoid body contact with earthed or grounded surfaces, such as pipes, radiators, ranges and refrigerators. There is an increased risk of electric shock if your body is earthed or grounded.
- c) Do not expose power tools to rain or wet conditions. Water entering a power tool will increase the risk of electric shock.
- d) Do not abuse the cord. Never use the cord for carrying, pulling or unplugging the power tool. Keep cord away from heat, oil, sharp edges or moving parts. Damaged or entangled cords increase the risk of electric shock. Not applicable for cordless power tools.
- e) When operating a power tool outdoors, use an extension cord suitable for outdoor use. Use of a cord suitable for outdoor use reduces the risk of

electric shock. Not applicable for cordless power tools.

- f) If operating a power tool in a damp location is unavoidable, use a residual current device (RCD) protected supply. Use of an RCD reduces the risk of electric shock.

3) Personal Safety

- a) Stay alert, watch what you are doing and use common sense when operating a power tool. Do not use a power tool while you are tired or under the influence of drugs, alcohol or medication. A moment of inattention while operating power tools may result in serious personal injury.
- b) Use personal protective equipment. Always wear eye protection. Protective equipment such as dust mask, non-skid safety shoes, hard hat, or hearing protection used for appropriate conditions will reduce personal injuries.
- c) Prevent unintentional starting. Ensure the switch is in the off position before connecting to power source and/or battery pack, picking up or carrying the tool. Carrying power tools with your finger on the switch or

energising power tools that have the switch on invites accidents.

- d) Remove any adjusting key or wrench before turning the power tool on. A wrench or a key left attached to a rotating part of the power tool may result in personal injury.
- e) Do not overreach. Keep proper footing and balance at all times. This enables better control of the power tool in unexpected situations.
- f) Dress properly. Do not wear loose clothing or jewellery. Keep your hair, clothing and gloves away from moving parts. Loose clothes, jewellery or long hair can be caught in moving parts.
- g) If devices are provided for the connection of dust extraction and collection facilities, ensure these are connected and properly used. Use of dust collection can reduce dust-related hazards.

4) Power Tool Use And Care

- a) Do not force the power tool. Use the correct power tool for your application. The correct power tool will do the job better and safer at the rate for which it was designed.

- b) Do not use the power tool if the switch does not turn it on and off. Any power tool that cannot be controlled with the switch is dangerous and must be repaired.
 - c) Disconnect the plug from the power source and/or the battery pack from the power tool before making any adjustments, changing accessories, or storing power tools. Such preventive safety measures reduce the risk of starting the power tool accidentally.
 - d) Store idle power tools out of the reach of children and do not allow persons unfamiliar with the power tool or these instructions to operate the power tool. Power tools are dangerous in the hands of untrained users.
 - e) Maintain power tools. Check for misalignment or binding of moving parts, breakage of parts and any other condition that may affect the power tool's operation. If damaged, have the power tool repaired before use. Many accidents are caused by poorly maintained power tools.
 - f) Keep cutting tools sharp and clean. Properly maintained cutting tools with sharp cutting edges are less likely to bind and are easier to control.
 - g) Use the power tool, accessories and tool bits etc. in accordance with these instructions, taking into account the working conditions and the work to be performed. Use of the power tool for operations different from those intended could result in a hazardous situation.
- ### 5) Battery Tool Use And Care
- a) Recharge only with the charger specified by the manufacturer. A charger that is suitable for one type of battery pack may create a risk of fire when used with another battery pack.
 - b) Use power tools only with specifically designated battery packs. Use of any other battery packs may create a risk of injury and fire.
 - c) When battery pack is not in use, keep it away from other metal objects, like paper clips, coins, keys, nails, screws or other small metal objects, that can make a connection from one terminal to another. Shorting the battery terminals together may cause burns or a fire.
 - d) Under abusive conditions,

liquid may be ejected from the battery; avoid contact. If contact accidentally occurs, flush with water. If liquid contacts eyes, additionally seek medical help. Liquid ejected from the battery may cause irritation or burns.

6) Service

- a) Have your power tool serviced by a qualified repair person using only identical replacement parts. This will ensure that the safety of the power tool is maintained.
- b) Never service damaged battery packs. Service of battery packs should only be performed by the manufacturer or authorized service providers.

BLOWER AND VACUUM SAFETY WARNING

- This tool has been designed for blowing/collecting as well as vacuuming/shredding dry leaves and other dry garden rubbish, such as grass and twigs.
- This tool is intended for residential use only. Commercial use of this product is prohibited and will void the manufacturer's warranty.
- Prevent unintentional starting. Ensure the switch is in the off-position before connecting to battery pack, picking up or carrying the appliance. Carrying the appliance with your finger on the switch or energizing appliance that have the switch on invites accidents.
- Disconnect the battery pack from the appliance before making any adjustments, changing accessories, or storing appliance. Such preventive safety measures reduce the risk of starting the appliance accidentally.
- When operating the unit, never point the blower nozzle in the direction of people or pets or in the direction of windows. Use extra caution when blowing debris near solid objects, such as trees, automobiles, and walls.
- Be sure to secure the unit when transporting it.
- Never douse or squirt the unit with water or any other liquid. Clean the unit after each use as described in the cleaning and storage section.
- Carefully inspect your appliance prior to use and follow all label and marking instructions.

- Keep all parts of your body away from any moving parts and all hot surfaces of the unit.
- Do not put any object into the tool's openings. Do not use the tool with any opening blocked; keep openings free of dust, lint, hair, or any other object that may reduce air flow.
- Check the work area before each use. Remove all objects such as rocks, broken glass, nails, wire, or string, which can be thrown or become entangled in the machine.
- Service on the product must be performed by qualified repair personnel only. Service or maintenance performed by unqualified personnel could result in injury to the user or damage to the product.
- Never run the unit without the proper equipment attached. Always ensure the blower tube is properly installed.
- Always grasp the handle when operating the unit, only operate the machine in its intended orientation.
- Do not use without the collection bag and/or filters in place.
- Do not manually place objects into the vacuum tube while

operating the unit as this can seriously damage the unit and/or harm the operator. Keep both hands on the handles while the power is on.

BATTERY PACK SAFETY WARNINGS

- Ensure the switch is in the off position before inserting battery pack. Inserting the battery pack into machines that have the switch on can cause accidents.
- Use only original battery packs intended specifically for this machine. Use of any other battery packs may create a risk of injury and fire.
- Do not open the battery. Danger of short-circuiting.
- Protect the battery against heat (e. g., against continuous intense sunlight and fire) water and moisture. Danger of explosion.
- In case of damage and improper use of the battery, vapours may be emitted. Ventilate the area and seek medical help in case of complaints. The vapours can irritate the respiratory system.
- Use the battery pack only in product family. This measure alone protects the battery against dangerous overload.

- The battery can be damaged by pointed objects such as nails or screwdrivers or by force applied externally. An internal short circuit can occur and the battery can burn, smoke, explode or overheat.
- Do not short-circuit the battery. There is danger of explosion.
- Longest life and best performance can be obtained if the battery pack is charged when the air temperature is between 18°C and 24°C. DO NOT charge the battery pack in an air temperature below 0°C, or above 40°C. This is important and will prevent serious damage to the battery pack.
- Do not store the battery outside or in vehicles. Store the battery within an temperature between 0°C and 50°C.
- Occasionally clean the venting slots and contact pins of the battery pack using a soft, clean and dry brush.

BATTERY CHARGER SAFETY WARNINGS



Read all safety warnings and instructions before using the charger.



Only for indoor use!



Class II protection.

- This appliance is not intended for use by children and persons with physical, sensory or mental limitations or a lack of experience or knowledge. This appliance can be used by children aged from 8 years and above and persons with reduced physical, sensory or mental capabilities or lack of experience and knowledge if they have been given supervision or instruction concerning use of the appliance in a safe way and understand the hazards involved. Children shall not play with the appliance. Cleaning and user maintenance shall not be made by children without supervision.
- Only charge the Lithium-Ion battery pack with the capacity mentioned in this instruction manual. Do not charge non-rechargeable batteries.

- The battery and charger must be placed in a well ventilated area.
- Do not operate the battery charger on easily inflammable surfaces (e. g., paper, textiles, etc.) or surroundings. The heating of the battery charger during the charging process can pose a fire hazard.
- Do not cover the ventilation slots of the battery charger. Otherwise, the battery charger can overheat and no longer operate properly.
- The supply cord cannot be replaced. If the cord is damaged the appliance should be scrapped.
- If the supply cord is damaged, it must be replaced by the manufacturer, its service agent or similarly qualified persons in order to avoid a hazard.
- intended by its design and these instructions.
- Ensure that the product is in good condition and well maintained.
- Use correct attachments for the product and ensure they are in good condition.
- Keep tight grip on the handle.
- Maintain this product in accordance with these instructions and keep it well lubricated (where appropriate).
- Plan your work schedule to spread any high vibration tool use across a longer period of time.
- Prolonged use of the product exposes the user to vibrations that can cause a range of conditions collectively known as hand-arm vibration syndrome (HAVS) e. g. fingers going white; as well as specific afflictions such as carpal tunnel syndrome.

VIBRATION AND NOISE REDUCTION

To reduce the impact of noise and vibration emission, limit the time of operation, use low-vibration and low-noise operating modes as well as wear personal protective equipment. Take the following points into account to minimise the vibration and noise exposure risks:

- Only use the product as
- To reduce this risk when using the product, always wear protective gloves and keep your hands warm.
- The symptoms of HAVS include any combination of the following: Tingling and numbness in the fingers; Not being able to feel things properly; loss of strength

in the hands; fingers going white (blanching) and becoming red and painful on recovery (particularly in the cold and wet, and probably only in the tips at first). Seek medical advice immediately if such symptoms are experienced.

EMERGENCY

Familiarize yourself with the use of this product by means of this instruction manual. Memorize the safety directions and follow them to the letter. This will help to prevent risks and hazards.

1. Always be alert when using this product, so that you can recognize and handle risks early. Fast intervention can prevent serious injury and damage to property.
2. Switch off the product and remove the battery pack if there are malfunctions. Have the product checked by a qualified professional and repaired, if necessary, before you operate it again.

RESIDUAL RISKS

Even if you are operating this product in accordance with the

provisions, residual risks will always still remain. The following dangers can arise in connection with the structure and design of this product:

1. Health defects resulting from vibration emission if the product is being used over longer period of time or not adequately managed and properly maintained.
2. Injuries and damage to property to due to broken accessories or hidden objects that are suddenly dashed.
3. Injuries and damage to property to due to thrown and fallen objects.
4. Prolonged use of this product expose the operator to vibrations and may produce 'whitefinger' disease. In order to reduce the risk, please wear gloves and keep your hands warm. If any of the 'whitefinger' symptoms appear, seek medical advice immediately. 'Whitefinger' symptoms include: numbness, loss of feeling, tingling, pricking, pain, loss of strength, changes in skin colour or condition. These symptoms normally appear in the fingers, hands or wrists. The risk increases at low temperatures.

WARNING!

This product produces an electromagnetic field during operation! This field may under some circumstances interfere with active or passive medical implants! To reduce the risk of serious or fatal injury, we recommend persons with medical implants to consult their physician and the medical implant manufacturer before operating this product!

INTENDED USE

This blower is only intended for blowing leaves, garden waste such as grass, twigs and pine needles in domestic use. Do not use it for others purposes.

KNOW YOUR UNIT

APPLICATIONS

Model: BLVX2-M-EU

As a cordless blower:

Blowing leaves, garden waste such as grass, twigs and pine needles

1	Blower Tube
2	Air Outlet Mounting Base
3	LED Light
4	Speed Control Switch
5	On/Off Switch
6	Handle
7	Battery
8	Housing
9	Air Inlet Mounting Base
10	Collecting Bag

SPECIFICATIONS*



NOTE:

BLVX2-M-EU-0 does not include the charger and the battery pack.

Model	BLVX2-M-EU			
Input voltage	18 V d.c.			
No-load speed	19000 rpm			
Max. air speed	81 m/s			
Max. air volume	2 m ³ /min			
Weight without battery	1.4 kg			
Battery model	B20X2	B25X2	B40X2	B50X2
Rated voltage	<u>18 V</u>	<u>18 V</u>	<u>18 V</u>	<u>18 V</u>
Rated capacity	2.0 Ah	2.5 Ah	4.0 Ah	5.0 Ah
Weight	0.34 kg	0.34 kg	0.65 kg	0.65 kg
Charger model	CHX2-L-EU		CHQX2-L1-EU	
Rated input	100-240 V ~ 50/60 Hz			
Rated output	21 V, 2 A		21 V, 4 A	
Charging time (for 2.0 Ah battery)	70±5mins		40±5mins	
Charging time (for 2.5 Ah battery)	58±5mins		48±5mins	
Charging time (for 4.0 Ah battery)	130±5mins		70±5mins	
Charging time (for 5.0 Ah battery)	160±5mins		85±5mins	
Protection class (for charger)	□ / II			
Weight	0.34 kg		0.48 kg	

ASSEMBLY

1. Unpack all parts and lay them on a flat, stable surface:
2. Remove all packing materials and shipping devices, if applicable.
3. The scope of delivery varies depending on the country and purchased variant:

Model of BLVX2-M-EU

- Power tool x1
 - Instruction manual x1
 - Blower tube x1
 - Collecting bag x1
 - Battery pack x1
 - Charger x1
4. If you find that parts are missing or show damage do not use the product but contact your dealer. Using an incomplete or damaged product represents a hazard to people and property.
 5. Ensure that you have all the accessories and tools needed for assembly and operation. This also includes suitable personal protective equipment.



NOTE:

BLVX2-M-EU-0 does not include the charger and the battery pack.



WARNING:



Wear protective gloves for this assembly work and always lay the product on a flat and stable surface while assembling.



Follow the assembly instructions step-by-step and use the pictures provided as a visual guide to easily assemble the product!

Do not insert the battery pack before the power tool is completely assembled or adjusted!

INSTALLING THE BLOWER TUBE



WARNING:

Take care of small parts that are removed during assembly or when making adjustments. Keep them secure to avoid loss.

Align and attach the blower tube to the air outlet mounting base. Rotate clockwise for snapping the raised block of the blower tube into slot (Fig.2).

INSTALLING THE COLLECTING BAG

1. Rotate counterclockwise and pull the blower tube out of the air outlet mounting base.
2. Align and attach the blower to the air inlet mounting base on the side housing of the product. Rotate clockwise to locate the raised block into slot (Fig.3).
3. Attach the collecting bag to the air outlet mounting base. Make sure the inner raised block of collecting bag holder is firmly in place as well (Fig.4).

INSTALLING/REMOVING THE BATTERY PACK



WARNING:

Using unsuitable batteries can lead to malfunctions or damage the machine.

To install:

Align and slide the battery pack into the battery docking port until it is locked in position (Fig.5).

To remove:

Press the unlock button of the battery pack and slide it out (Fig.6).

OPERATION



WARNING:

Inspect the tool for complete installation. Any missing, damaged or misplaced may cause serious injury. Wear protective equipments at all times while operating the power tool.

SWITCHING ON/OFF

1. Check and secure all accessories.
2. Press the on/off switch to turn on the blower.
3. Release the on/off switch to turn off the blower (Fig.7).



WARNING:

Wait until it comes to a complete stop before putting the product down!



NOTE:

The LED light will automatically turn on/off when the blower starts/stops.

ADJUSTING BLOWING SPEED

The blowing speed can be changed by speed control switch. Adjust to desired blower speed to meet your requirement (Fig.7).

OPERATING HOURS

Only operate the product at reasonable hours - not early in the morning, late at night or on weekends/public holidays when people might be disturbed. Inform yourself about local restrictions.

GENERAL



WARNING:

To reduce the risk of hearing loss, hearing protection is required.

1. Double check that accessories or application tools are properly fixed.

2. Always hold the product on its handle. Keep the handle dry and clean to ensure safe support.
3. Ensure that the air vents are always unobstructed and clear. Clean them if necessary with a soft brush. Blocked air vents may lead to overheating and damage the product.
4. Switch the product off immediately if you are disturbed while working by other people entering the working area. Always let the product come to complete stop before putting it down.
5. Do not overwork yourself. Take regular breaks to ensure you can concentrate on the work and have full control over the product.
6. Before switching the product on, check whether it has been assembled correctly and all the moving parts are running smoothly!
7. While working, ensure that the product does not strike hard objects, as this can cause damage.
8. Do not blow any solid bodies such as stones, branches, pieces of branch or similar.
9. We recommend slightly dampening surfaces in dusty conditions or using a moister attachment.



NOTE:

The risk of the operation may occur, such as the sharp tree branches may cut the user's skin, the blade of the unit may hurt the user's body. Always wear eye, hearing, hand, foot and body protection to reduce the risk of injury when operating this unit.

BLOWING

1. Before blowing, loosen leaves that are stuck to the ground using a broom or rake.
2. Hold the tube approximately 3.9inch(10cm) above the ground and walk slowly forward using a sweeping motion from side to side.
3. Direct the air stream away from yourself.
4. Ensure that you do not stir up any heavy objects and hurt somebody or damage something.



WARNING:

When the blower vibrates abnormally, immediately shut off the unit. Abnormal vibration often shows a mechanical problem and continues use could result in injury or property damage.

VACUUMING



NOTE:

Do not use vacuuming mode unless the collecting bag is well installed.

1. Always hold the handle tightly to maintain good control of the machine during use.
2. Make sure the bag is properly installed and the zipped is closed.
3. When operating the unit as a blower, never point the blower tube in the direction of people or pets or in the direction of window. Use extra caution when blowing debris near solid objects, such as trees, automobiles, and walls.
4. As the bag fills, suction power will decrease. When this happens, turn off the product and remove the battery. Detach the collecting bag and empty debris.
5. With a firm hold on the unit, tilt the blower tubes to collect light debris. The debris will flow into the bag. Items such as small leaves and twigs will be mulched as they pass through the fan housing. For longer bag life and optimal performance, empty the bag frequently.
6. Do not wear loose clothing. Drawing into the air inlet or blocking the air vents both can cause serious accidents.



WARNING:

Never remove the collection bag without first turning off the product and remove the battery.

CHARGING THE BATTERY PACK



WARNING:

This Lithium-Ion battery pack is shipped partially charged. Fully charge the battery pack before using it for the first time.



NOTE:

Charge batteries at a ambient temperature of 0°C-40°C.

1. Charge the Lithium-Ion battery pack only with the correct charger.
2. Connect the charger to a power supply, the light indicator of the charger turns red.

3. Align the raised ribs of the battery pack with the slot in the charger (Fig.8).
4. Insert the battery pack into the charger, the light indicator of the charger turns green and it flashes.
5. The charger will communicate with the battery pack to evaluate the condition of the battery pack.
6. It is fully charged that the four lights of the battery turn on. Disconnect the power supply from the charger. Remove battery pack from the charger.

CHARGING INDICATOR

Press the light button to check the battery pack whether needs to charge (Fig.6) .

Lights			Remaining Capacity
Lighted	Off	Blinking	
			75% - 100%
			50% - 75%
			25% - 50%
			5% - 25%
			< 5% (need to be charged)



WARNING:

Malfunctions may occur when the four lights blinking in turns.

OVERHEAT PROTECTION

When the tool/battery is overheated, the tool stops automatically. In this situation, let the power tool/battery cool before turning the tool on again.

OVERDISCHARGE PROTECTION

When the battery capacity is not enough, the tool stops automatically. In this case, remove the battery from the tool and charge the battery.

MAINTENANCE



WARNING:

Always switch the product off, remove the battery pack and let the product cool down before performing cleaning and maintenance work!

Always wear eye, hearing, hand, foot and body protection to reduce the risk of injury when operating this unit.

Only perform cleaning and maintenance work according to these instructions! All further works must be performed by a qualified specialist!

And only use specified spare parts for replacement.

CLEANING

- Switch the product off, pull out the battery pack from the product.
- Clean up debris from blower tube.
- Remove the collecting bag and empty it. Wash the bag if necessary.
- Remove wood chips and other debris from air vents.
- Use a small brush to clean the outside of the unit. Do not use strong detergents. Household cleaners that contain aromatic oils such as pine and lemon, and solvents such as kerosene, can damage plastic.
- Wipe off any moisture with a soft cloth. The tool should never come in contact with water.

TRANSPORT

- Clean the product as described above.
- Always carry the product by its handle.
- Protect the product from any heavy impact or strong vibrations which may occur during transportation in vehicles.
- Secure the product to prevent it from slipping or falling over, damage or injury.

STORAGE

- Clean the product as described above.
- Let the collecting bag dry before storage.
- Store the product and its accessories in a dark, dry, frost-free, well-ventilated place.
- Always store the product in a place that is inaccessible to children. The ideal storage temperature is between 10°C and 30°C.
- We recommend using the original package for storage or covering the product with a suitable cloth or enclosure to protect it against dust.



NOTE:

To prolong battery life, never store battery pack in a completely discharged condition. Make sure the battery pack is charged once per year or when the LED indicator shows only one light.

DISPOSAL

Waste product should not be disposed of with household waste. Please recycle where facilities exist.

Check with your local authority or retailer for recycling advice.



Electrical products should not be discarded with household products. Used electrical products must be collected separately and disposed of at collection points provided for this purpose. Talk with your local authorities or dealer for advice on recycling.

TROUBLESHOOTING

Suspected malfunctions are often due to causes that the users can fix themselves. Therefore, check the product using this section. In most cases the problem can be solved quickly.

PROBLEM	POSSIBLE CAUSE	SOLUTION
Product does not start	Battery pack not properly attached	Attach properly
	Battery pack capacity too low	Remove and charge battery pack
	Battery pack damaged	Check by a specialist electrician
Product does not reach full power	Battery pack capacity too low	Charge battery pack
	Air vents are blocked	Clean the air vents
Vibration or noise is excessive	Bolts/nuts are loose	Tighten bolts/nuts
Product suddenly stops	Battery pack capacity too low	Remove and charge battery pack
	Battery too hot	Remove battery pack and let it cool down

