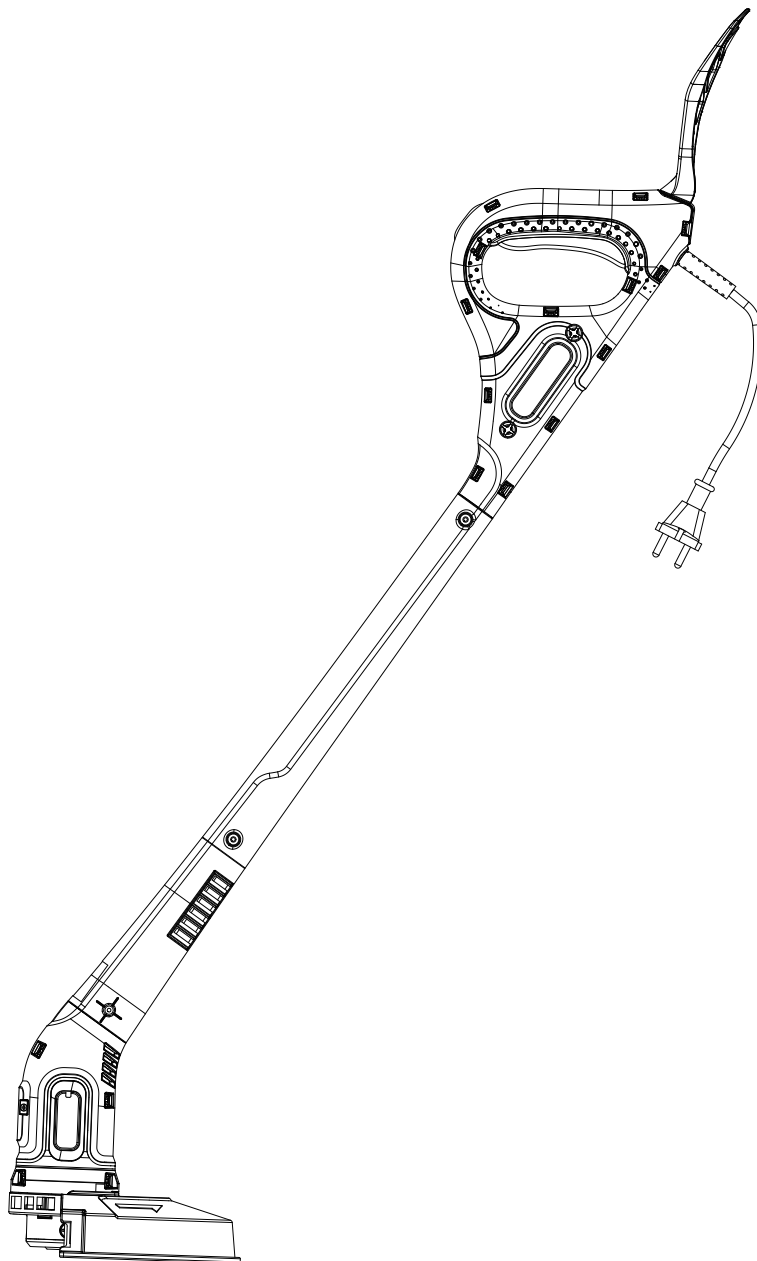




EN Operator's manual  
230V Electric Grass Trimmer

Model: GTE2.5-L-EU



EN  
For customer service please find all information on [www.senixtools.com](http://www.senixtools.com).  
CAUTION:BEFORE USING THIS PRODUCT,READ THIS MANUAL AND FOLLOW ALL ITS  
SAFETY RULES AND OPERATING NSTRUCTIONS.  
ORIGINAL INSTRUCTIONS

## SAFETY & INTERNATIONAL SYMBOLS

This operator's manual describes safety and international symbols and pictographs that may appear on this product. Read the operator's manual for complete safety, assembly, operating and maintenance and repair information.



Caution / Warning.



Read the instruction manual.



Wear eye protection



Wear hearing protection



Wear respiratory protection



Wear safety helmet



Wear protective gloves.



Wear safety footwear.



Switch the product off and disconnect it from the power supply before assembly, cleaning, adjustments, maintenance, storage and transportation.



Remove plug from the mains immediately if the power cord/extension cord is damaged or cut.



Don't install or use any type of blade on the unit displaying this symbol.



Do not touch the line until it stops completely when replacing new line.



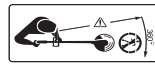
Risk of flying objects or debris  
Be aware of that there is a risk of flying objects and/or debris when using the machine  
Keep bystanders away



Do not use in rain or wet conditions.



Beware of foot injury by cutting attachment.



Keep a safe distance.  
The operator is responsible for the safety of others located in the working area of the machine.  
Do not use the machine while other people, especially child or pets, are nearby.



The distance between the machine and bystanders shall be at least 15m.



Warning. Cutting elements continue to rotate after the engine turned off.



Guaranteed sound power level value in 96 dB(A)



Class II protection.



The product complies with the applicable European directives and an evaluation method of conformity for these directives were done.



Waste electrical products should not be disposed of with household waste. Please recycle where facilities exist.  
Check with your Local Authority or retailer for recycling advice.

## TABLE OF CONTENTS

SAFETY WARNINGS.....	3
KNOW YOUR UNIT.....	8
SPECIFICATIONS*.....	9
ASSEMBLY.....	10
OPERATION.....	12
MAINTENANCE .....	14
CLEANING AND STORAGE .....	15
PARTS.....	16
EC DECLARATION OF CONFORMITY.....	18

## SAFETY WARNINGS

### GENERAL POWER TOOL SAFETY WARNINGS



#### WARNING:

**Read all safety warnings and all instructions. Failure to follow the warnings and instructions may result in electric shock, fire and/or serious injury. Save all warnings and instructions for future reference. The term "power tool" in the warnings refers to your mains-operated (corded) power tool or battery-operated (cordless) power tool.**

#### WORK AREA SAFETY

- 1. Never allow children, persons with reduced physical, sensory or mental capabilities or lack of experience and knowledge or people unfamiliar with these instructions to use the machine, local regulations may restrict the age of the operator**
- 2. Keep work area clean and well lit.** Cluttered or dark areas invite accidents.
- 3. Do not operate power tools in explosive atmospheres, such as in the presence of flammable liquids, gases or dust.** Power tools create sparks which may ignite the dust or fumes.
- 4. Keep children and bystanders away while operating a power tool.** Distractions can cause you to lose control.

#### ELECTRICAL SAFETY

- 1. Power tool plugs must match the outlet. Never modify the plug in any way. Do not use any adapter plugs with earthed (grounded) power tools.** Unmodified plugs and matching outlets will reduce risk of electric shock.
- 2. Avoid body contact with earthed or grounded surfaces, such as pipes, radiators, ranges and refrigerators.** There is an increased risk of electric shock if your body is earthed or grounded.
- 3. Do not expose power tools to rain or wet conditions.** Water entering a power tool will increase the risk of electric shock.
- 4. Do not abuse the cord. Never use the cord for carrying, pulling or unplugging the power tool. Keep cord away from heat, oil, sharp edges or moving parts.** Damaged or entangled cords increase the risk of electric shock.
- 5. When operating a power tool outdoors, use an extension cord suitable for outdoor use.** Use of a cord suitable for outdoor use reduces the risk of electric shock.
- 6. If operating a power tool in a damp location is unavoidable, use a residual current device (RCD) protected supply with a tripping current of not more than 30 mA.** Use of an RCD reduces the risk of electric shock.

## PERSONAL SAFETY

1. **Stay alert, watch what you are doing and use common sense when operating a power tool. Do not use a power tool while you are tired or under the influence of drugs, alcohol or medication.** A moment of inattention while operating power tools may result in serious personal injury.
2. **Use personal protective equipment. Always wear eye protection.** Protective equipment such as dust mask, non-skid safety shoes, hard hat, or hearing protection used for appropriate conditions will reduce personal injuries.
3. **Prevent unintentional starting. Ensure the switch is in the off-position before connecting to power source and/or battery pack, picking up or carrying the tool.** Carrying power tools with your finger on the switch or energising power tools that have the switch on invites accidents.
4. **Remove any adjusting key or wrench before turning the power tool on.** A wrench or a key left attached to a rotating part of the power tool may result in personal injury.
5. **Do not overreach and to keep the balance at all times, to always be sure of the footing on slopes and to walk, never run.**
6. **Dress properly. Do not wear loose clothing or jewellery. Keep your hair, clothing and gloves away from moving parts.** Loose clothes, jewellery or long hair can be caught in moving parts. Always wear substantial footwear and long trousers while operating the machine
7. **If devices are provided for the connection of dust extraction and collection facilities, ensure these are connected and properly used.** Use of dust collection can reduce dust-related hazards.
8. **Do not touch moving hazardous**

**parts before the machine is disconnected from the mains and the moving hazardous parts have come to a complete stop.**

9. **Do not connect a damaged cord to the supply or touch a damaged cord before it is disconnected from the supply for the reason that damaged cords can lead to contact with live parts.**
10. **Keep extension cords away from moving hazardous parts to avoid damages to the cords which can lead to contact with live parts**
11. **Avoid using the machine in bad weather conditions especially when there is a risk of lightning.**

## POWER TOOL USE AND CARE

1. **Do not force the power tool. Use the correct power tool for your application.** The correct power tool will do the job better and safer at the rate for which it was designed.
2. **Do not use the power tool if the switch does not turn it on and off.** Any power tool that cannot be controlled with the switch is dangerous and must be repaired.
3. **Disconnect the plug from the power source and/or the battery pack from the power tool before making any adjustments, changing accessories, or storing power tools.** Such preventive safety measures reduce the risk of starting the power tool accidentally.
4. **Store idle power tools out of the reach of children and do not allow persons unfamiliar with the power tool or these instructions to operate the power tool.** Power tools are dangerous in the hands of untrained users.
5. **Maintain power tools. Check for misalignment or binding of moving parts, breakage of parts and any other condition that may affect the**

power tool's operation. If damaged, have the power tool repaired before use. Many accidents are caused by poorly maintained power tools.

- 6. Keep cutting tools sharp and clean.** Properly maintained cutting tools with sharp cutting edges are less likely to bind and are easier to control.
- 7. Use the power tool, accessories and tool bits etc. in accordance with these instructions, taking into account the working conditions and the work to be performed.** Use of the power tool for operations different from those intended could result in a hazardous situation.

### **SERVICE**

- 1. Have your power tools serviced by a qualified repair person using only identical replacement parts.** This will ensure that safety of the power tool is maintained.
- 2. Never to replace the non-metallic cutting means with metallic cutting means.**

### **ELECTRICALLY POWERED GRASS TRIMMER SAFETY WARNINGS**

**IMPORTANT  
READ CAREFULLY BEFORE USE  
KEEP FOR FUTURE REFERENCE**

### **TRAINING**

- 1. Read the instructions carefully. Be familiar with the controls and the proper use of the product.**
- 2. Never allow people unfamiliar with these instructions or children to use the product. Local regulations can restrict the age of the operator.**
- 3. Keep in mind that the operator or user is responsible for accidents or hazards occurring to other people or their property.**

### **PREPARATION**

- 1. Never operate the product while people, especially children, or pets are nearby.**
- 2. Wear eye protection and stout shoes at all times while operating the product.**

### **OPERATION**

- 1. Use the product only in daylight or good artificial light.**
- 2. Never operate the product with damaged guards or shields or without guards or shields in place.**
- 3. Keep hands and feet away from the cutting device at all times and especially when switching on the motor.**
- 4. Before using the product and after any impact, check for signs of wear or damage and repair as necessary.**
- 5. Always disconnect the product from the power supply (i.e. remove the plug from the power supply or the battery pack)**
  - whenever leaving the product unattended;
  - before clearing a blockage;
  - before checking, cleaning or working on the product
  - after striking a foreign object;
  - whenever the product starts vibrating abnormally.
- 6. Take care against injury to feet and hands from the cutting device.**
- 7. Always ensure that the air vents are kept clear of debris.**
- 8. Take care against injury from any device fitted for trimming the filament line length, if applicable. After extending new cutter line always return the product to its normal operating position before switching on.**
- 9. Never fit metal cutting elements.**
- 10. Never use replacement parts or accessories not provided or recommended by the manufacturer.**

## **MAINTENANCE AND STORAGE**

- 1. Disconnect the product from the power supply (i.e. remove the plug from the power supply or the battery pack) and check for damage after use.**
- 2. Disconnect the product from the power supply (i.e. remove the plug from the power supply or the battery pack) before carrying out maintenance or cleaning work.**
- 3. Use only the manufacturer's recommended replacement parts and accessories.**
- 4. Inspect and maintain the product regularly. Have the product repaired only by an authorised service centre or similar qualified specialist.**
- 5. When not in use, store the product out of the reach of children.**

## **VIBRATION AND NOISE REDUCTION**

To reduce the impact of noise and vibration emission, limit the time of operation, use low-vibration and low-noise operating modes as well as wear personal protective equipment.

Take the following points into account to minimize the vibration and noise exposure risks:

1. Only use the product as intended by its design and these instructions.
2. Ensure that the product is in good condition and well maintained.
3. Use correct application tools for the product and ensure they in good condition.
4. Keep tight grip on the handles/grip surface.
5. Maintain this product in accordance with these instructions and keep it well lubricated (where appropriate).
6. Plan your work schedule to spread any high vibration tool use across a number of days.

## **EMERGENCY**

Familiarise yourself with the use of this

product by means of this instruction manual. Memorise the safety directions and follow them to the letter. This will help to prevent risks and hazards.

1. Always be alert when using this product, so that you can recognise and handle risks early. Fast intervention can prevent serious injury and damage to property.
2. Switch off and disconnect from the power supply if there is any malfunction. Have the product checked by a qualified specialist and repaired, if necessary, before you put it into operation again.

## **INTENDED USE AND NON-INTENDED USED**

This electric grass trimmer is only intended to be used for cutting grass and light weeds, edging and decorative trimming around trees, fences, etc. in domestic gardens. This product should not be used to cut heavier weeds, brush, unusually thick grass or vegetation, wet grass or to shred leaves etc. Do not use it for others purposes.

## **RESIDUAL RISKS**

Even if you are operating this product in accordance with the provisions, residual risks will always still remain. The following dangers can arise in connection with the structure and design of this product:

1. Health defects resulting from vibration emission if the product is being used over longer period of time or not adequately managed and properly maintained.
2. Injuries and damage to property to due to broken accessories or hidden objects that are suddenly dashed.
3. Injuries and damage to property to due to thrown and fallen objects.
4. Prolonged use of this product expose the operator to vibrations and may produce 'whitefinger' disease. In order to reduce the risk, please wear gloves



and keep your hands warm. If any of the 'whitefinger' symptoms appear, seek medical advice immediately. 'Whitefinger' symptoms include: numbness, loss of feeling, tingling, pricking, pain, loss of strength, changes in skin colour or condition. These symptoms normally appear in the fingers, hands or wrists. The risk increases at low temperatures.



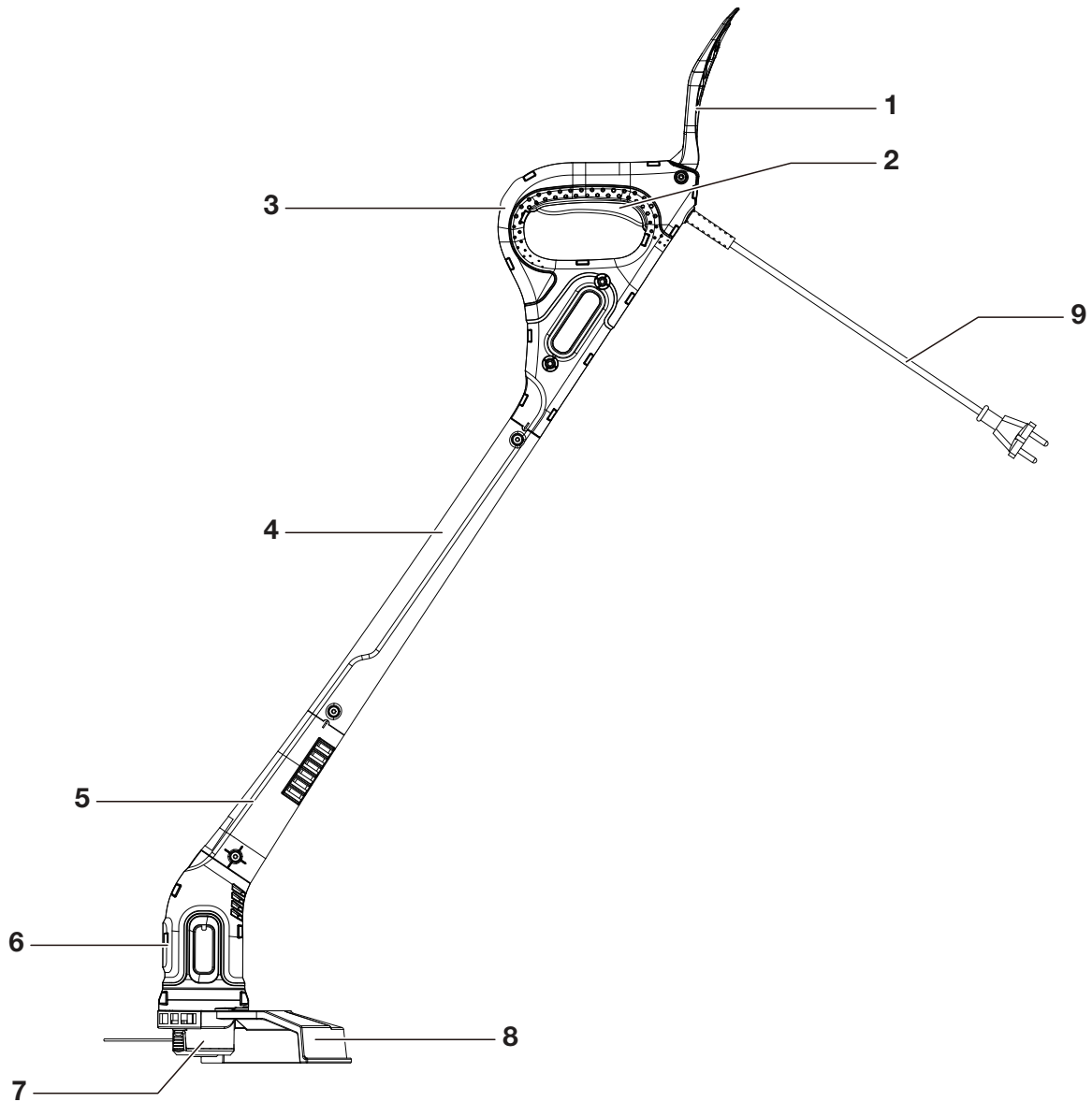
## **WARNING:**

**This product produces an electromagnetic field during operation! This field may under some circumstances interfere with active or passive medical implants! To reduce the risk of serious or fatal injury, we recommend persons with medical implants to consult their physician and the medical implant manufacturer before operating this product!**

## KNOW YOUR UNIT

Model: GTE2.5-L-EU

For cutting grass and light weeds, edging and decorative trimming around trees, fences, etc. in domestic gardens.



1	Auxiliary handle	6	Power head
2	Switch trigger	7	String head
3	Handle	8	Grass deflector
4	Attachment shaft	9	Power cord with plug
5	Power head shaft		



## SPECIFICATIONS\*

Model	GTE2.5-L-EU
Rated Voltage	230V/50Hz
Rated input power	250 W
No-Load speed	12500 min <sup>-1</sup>
Cutting width	250 mm
Line diameter	1.2 mm
Sound pressure level	L <sub>PA</sub> =83.5 dB(A) K <sub>PA</sub> =3.0 dB(A)
Measured sound power level	L <sub>WA</sub> =93.68 dB(A) K <sub>WA</sub> =1.96 dB(A)
Guarantee sound power level	96 dB(A)
Vibration level	a <sub>h</sub> <2.5m/s <sup>2</sup> (K=1.5 m/s <sup>2</sup> )
Weight	1.13 kg

### Information:

The declared vibration and noise total value has been measured in accordance with a standard test method and may be used for comparing one tool with another;

The declared vibration and noise total value may also be used in a preliminary exposure assessment.

The vibration and noise emission during actual use of the power tool can differ from the declared total value depending on the ways in which the tool is used; and it may be necessary to identify safety measures to protect the operator that are based on an estimation of exposure in the actual conditions of use (taking into account all parts running idle in addition to the trigger time).

\* All specifications are based on the latest product information available at the time of printing. We reserve the right to make changes at any time without notice.



### **WARNING:**

- that the vibration and noise emission during actual use of the power tool can differ from the declared total value depending on the ways in which the tool is used; and
- of the need to identify safety measures to protect the operator that are based on an estimation of exposure in the actual conditions of use (taking account of all parts of the operating cycle such as the times when the tool is switched off and when it is running idle in addition to the trigger time).

## ASSEMBLY

This product requires assembly. Carefully remove the product and any accessories from the box. Make sure that all items listed in the packing list are included. Inspect the product carefully to make sure no breakage or damage occurred during shipping. Do not discard the packing material until you have carefully inspected and satisfactorily operated the product. If any parts are damaged or missing, please call 49 (0)40 854 10 40 - 14 for assistance.

### **! WARNING:**

Do not use this product if it is not completely assembled or if any parts appear to be missing or damaged. Use of a product that is not properly and completely assembled could result in serious personal injury.

### PACKING LIST

Grass trimmer x1  
Grass deflector x1  
Self-tapping screw x4  
Screw x1  
Anti-lost screw x1  
Auxiliary handle x1  
Operator's manual x1

### **! WARNING:**

To avoid serious personal injury and damage to the unit, shut the unit off before removing or installing an attachment.

### ATTACHING THE GRASS DEFLECTOR

### **! WARNING:**

The line cut-off blade on the grass deflector is sharp. Avoid contact with the blade. Failure to avoid contact can result in serious personal injury.

1. Insert the grass deflector into the position holes of the work head.
2. Insert the anti-lost screw through the grass deflector and into the work head (Fig. 1).
3. Tighten the anti-lost screw securely.

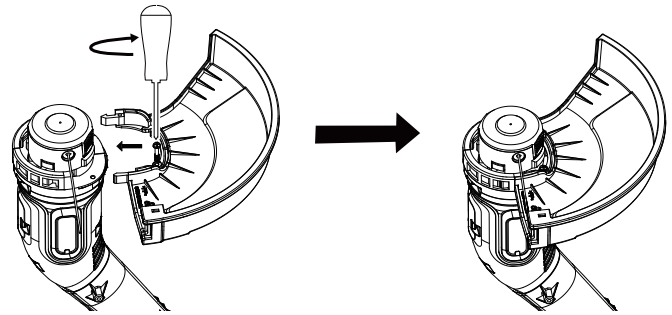


Fig. 1

### ASSEMBLING THE TRIMMER SHAFT

### **! WARNING:**

Before using any attachment, read and understand the manual that came with the attachment. Follow all safety information contained within.

Connect the attachment shaft to the power head and the handle by means of a coupler device.

1. Push the power head shaft into the attachment shaft.
2. Insert two self-tapping screws into the positioning hole.
3. Tighten two self-tapping screws securely.
4. Connect the attachment shaft to the handle shaft by the same way (Fig. 2).

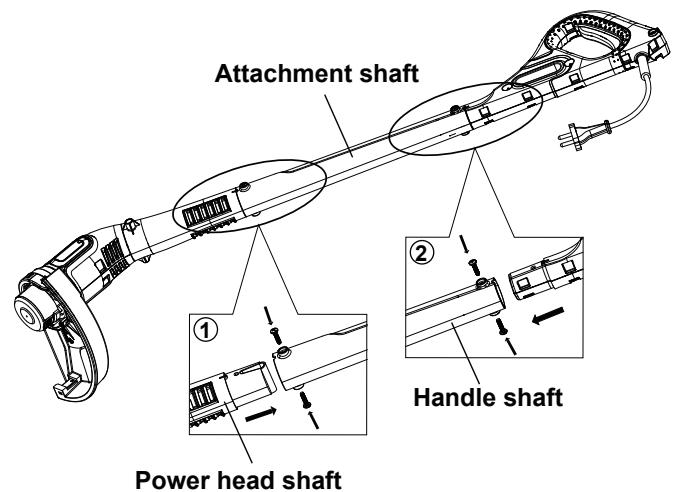


Fig. 2

### **! WARNING:**

Be certain the attachment shaft is fully installed before operating equipment. Check it periodically for installment during use to avoid serious injury.

## ASSEMBLY

### REMOVING THE ATTACHMENT FROM THE POWER HEAD AND THE HANDLE

#### **! WARNING:**

Never attach or adjust any attachment while power head is running. Failure to stop the unit may cause serious personal injury.

For removing or changing the attachment:

1. Stop the unit.
2. Loose four self-tapping screws form attachment shaft.
3. Take the power head shaft and handle shaft away after removing four screws(Fig. 3).

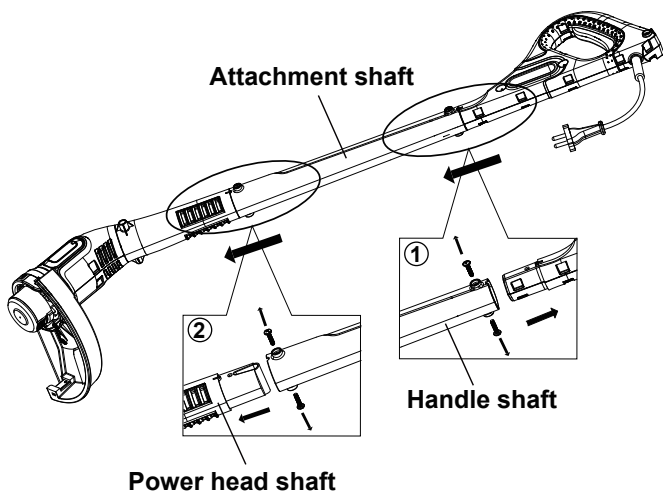


Fig. 3

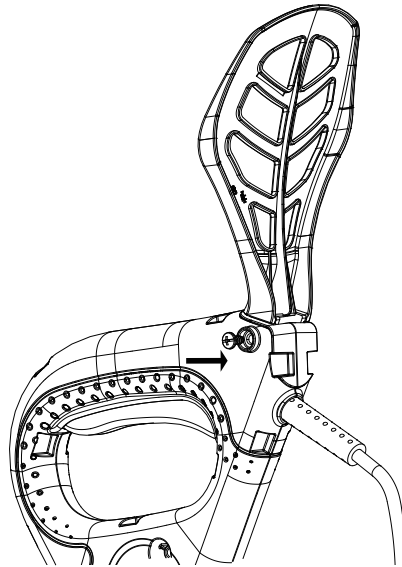


Fig. 4

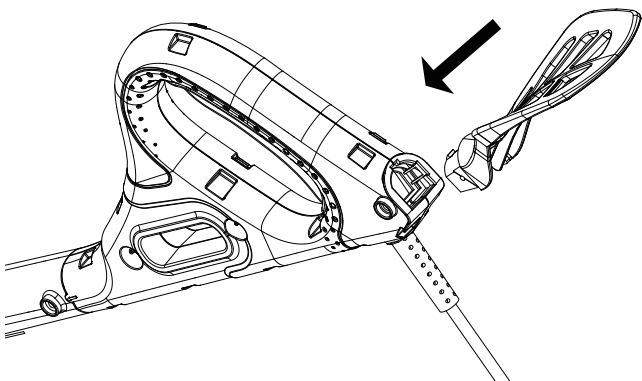
### REMOVING THE AUXILIARY HANDLE

1. Hold the product as in working condition.
2. Loose the screw of the cover.
3. Take the auxiliary handle away from the slot of the cover.

### ASSEMBLING THE AUXILIARY HANDLE

It is helpful and comfortable when using the auxiliary handle.

1. Hold the product as in working condition.
2. Assemble the auxiliary handle to the slot of the cover as shown below.
3. Tighten the screw to secure the auxiliary handle (Fig. 4).



## OPERATION

### **! WARNING:**

Do not allow familiarity with this product to make you careless. Remember that a careless fraction of a second is sufficient to inflict serious injury.

### **! WARNING:**

Always wear eye protection along with hearing protection. Failure to do so could result in objects being thrown into your eyes and other possible serious injuries.

### **! WARNING:**

Do not use any attachments or accessories not recommended by the manufacturer of this product. The use of attachments or accessories not recommended can result in serious personal injury.

## SWITCHING ON AND OFF

Hold the product as in working condition.

To start the product, press the switch trigger.

To switch the product off, release the switch trigger.

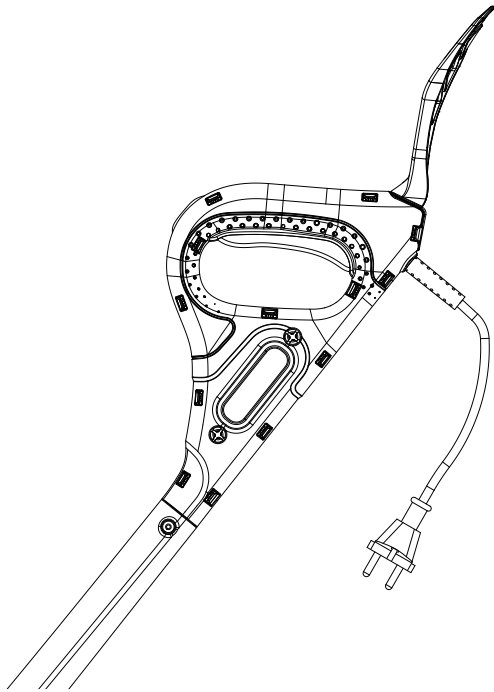


Fig. 5

## HOLDING THE UNIT

### **! WARNING:**

Always wear eye, hearing, hand, foot and body protection to reduce the risk of injury when operating this unit. Keep all parts of your body away from the rotating cutting attachment and hot surfaces.

- Stand in the operating position (Fig. 6). Stand up straight. Do not bend over.
- Keep feet apart and firmly planted.
- Hold the shaft grip with the right hand. Keep the right arm slightly bent.
- Hold the handle with the left hand. Keep the left arm straight.
- Hold the unit at waist level.
- Position the cutting head a few inches above the ground.
- Do not over-reach; Keep all parts of your body away from the rotating cutting attachment and hot surfaces.
- To direct clippings away from you, whenever possible swing the trimmer in a left to right cutting motion. There is an embossed arrow on the top of the safety guard indicating the preferred left to right direction of trimmer operation.

## DECORATIVE TRIMMING

When trimming around trees, posts, fences, etc., rotate the whole unit so that the cutting head is at a 30° angle to the ground (Fig. 6).

## Maintaining the Trimming Line

Hard surfaces, such as sidewalks, can cause the trimming line to wear down quickly or break.

- Frequently check the trimming line length. Replace the trimming line as needed. Refer to Replacing the Trimming Line.
- DO NOT force the unit. Make shallow cuts in as many passes as are necessary to achieve the desired depth. Cut at a slow, even pace.

## TRIMMING TIPS

- Avoid hot surfaces by always keeping the tool away from your body.
- Cut all grass from top to down. This will prevent grass from wrapping around the shaft housing and string head which could cause damage from overheating.
- If grass becomes wrapped around the string head, STOP THE PRODUCT, remove the battery pack, and remove the grass.
- Use the tip of line to trim grass; do not force string head into uncut grass.
- Avoid trees, flowers, stones, walls and other objects which can cause the line to break.
- Check and feed the line regularly to maintain full cutting width and performance.

## OPERATION

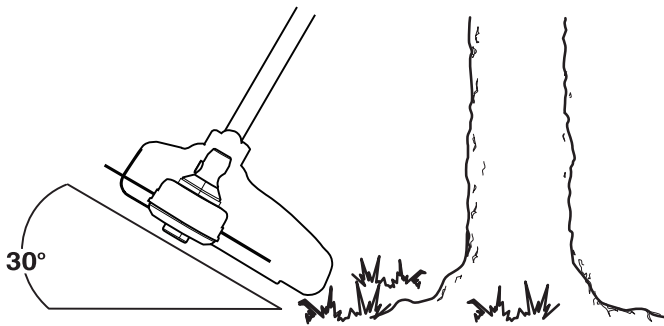


Fig. 6

### EXTENDING THE TRIMMING LINE

To extend the line press the spool onto the ground while the unit is turning and the line will extend automatically. For most effective grass trimming, ensure the machine is operation at full speed and then use slow shallow sweeps of the line, ensuring that you do not overload the machine by cutting too fast or cutting through heavy terrain (Fig.7) .

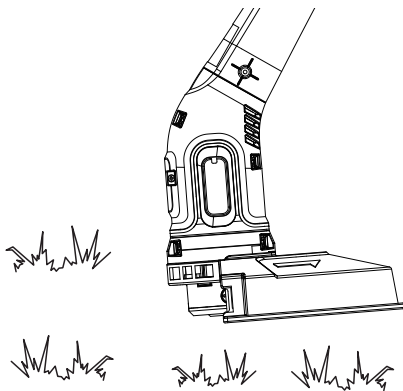


Fig. 7

### CUTTING TIPS

- Check the area you wish to cut and remove any objects that may be thrown up by the line.
- Check the safety equipment on the device before the start of work.
- Start the product.
- Wear the device as prescribed using the carry strap and hold with your right hand on the operating handle
- Gently push down fully on the fuel lever. Always cut at full speed!

### TIPS FOR BEST RESULTS

- To direct clippings away from the operator, tilt the cutting head slightly down to the right; whenever possible swing the trimmer in a left to right cutting motion. There is an embossed arrow on the top of the safety guard indicating the preferred left to right direction of trimmer operation.
- Do not trim wet grass or weeds.

**NOTE:** Some line breakage will occur from:

- Entanglement with foreign matter
- Normal line fatigue
- Attempting to cut thick vegetation
- Forcing the line into objects such as walls or fence posts

### SUPPLY CORD

Use only H05VV-F 2×0.75mm supply cord. If the supply cord is damaged, it must be replaced by the manufacturer, its service agent or similarly qualified persons in order to avoid a hazard.

## MAINTENANCE

### **! WARNING:**

Always switch the product off, and let the product cool down before performing inspection, maintenance and cleaning work!

Maintain this product regularly and carefully! If the product is improperly maintained, it may fail at its intended task, which may produce fatal consequences.

### **! WARNING:**

Wear protective clothing and observe all safety instructions to prevent serious personal injury.

1. Keep the product clean. Remove debris from it after each use and before storage.
2. Regular and proper cleaning will help ensure safe use and prolong the life of the product.
3. Inspect the product before each use for worn and damaged parts. Do not operate it if you find broken and worn parts.

### **! WARNING:**

Only perform repairs and maintenance work according to these instructions! All further works must be performed by a qualified specialist!

### **! WARNING:**

It is not allowed to change the whole spool(bump head) of this product by customers. All further works must be performed by a qualified specialist!

## REPLACING THE TRIMMING LINE

1. Remove the spool from the string head by pressing the tabs of the spool retainer.
2. Remove any old line from the spool. Use a clean cloth to clean the surface of the string head.
3. Cut a 3.4 m length of 1.2 mm diameter trimming line.
4. Insert the line into the hole on the spool (Fig. 8).
5. Bend the line as shown (Fig. 9).
5. Wrap the line evenly and firmly around the spool according to the arrow (Fig. 9).
6. Install the spool in the string head after inserting the line into the hole of the power head (Fig. 10).
7. Install the spool retainer by pressing the tabs into the slots and pushing down on the spool until the spool retainer clicks into place (Fig. 10).

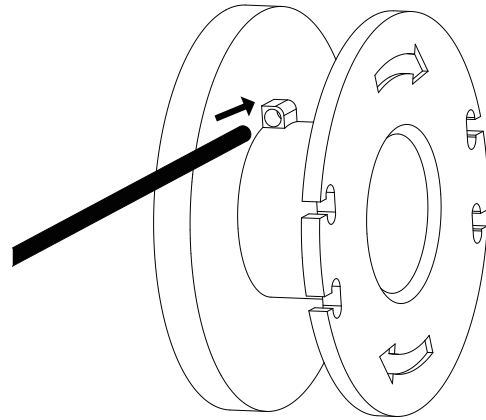


Fig. 8

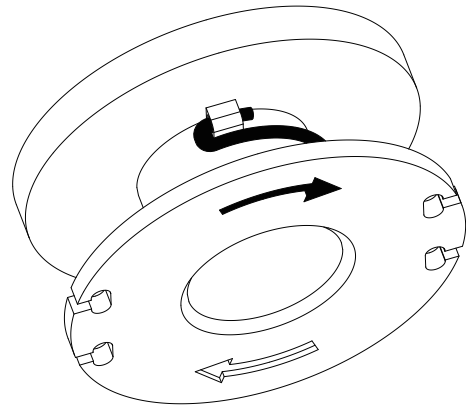


Fig. 9

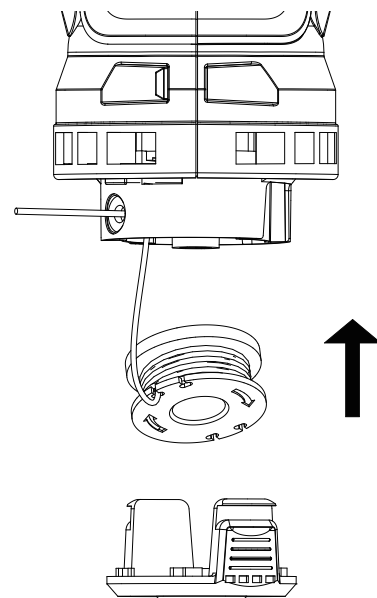


Fig. 10

### CLEANING

#### **WARNING:**

Always switch the product off, remove and pull out the battery pack from the product and let the product cool down before performing inspection, maintenance and cleaning work!

Use a small brush to clean the outside of the unit. Do not use strong detergents. Household cleaners that contain aromatic oils such as pine and lemon, and solvents such as kerosene, can damage plastic. Wipe off any moisture with a soft cloth. Inspect the product before and after each use for worn and damaged parts. Do not operate it if you find worn and damaged parts.

#### **WARNING:**

Only perform repairs and maintenance work according to these instructions! All further works must be performed by a qualified specialist!

### STORAGE

1. Clean the product as described above.
2. Store the product and its accessories in a dark, dry, frost-free, well-ventilated place.
3. Always store the product in a place that is inaccessible to children. The ideal storage temperature is between 10 °C and 30 °C.
4. We recommend using the original package for storage or covering the product with a suitable cloth or enclosure to protect it against dust.

### TRANSPORT

1. Clean the product as described above.
2. Always carry the product by its handle.
3. Protect the product from any heavy impact or strong vibrations which may occur during transportation in vehicles.
4. Secure the product to prevent it from slipping or falling over, damage or injury.



# PARTS

## GTE2.5-L-EU

