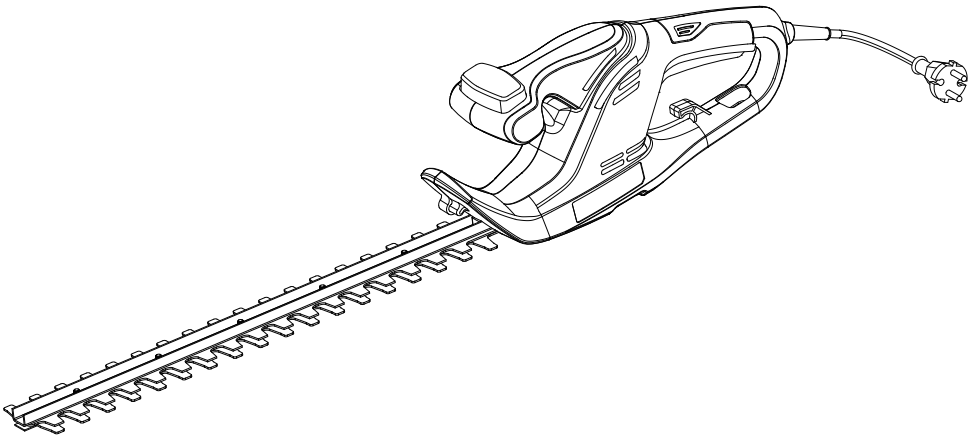




---

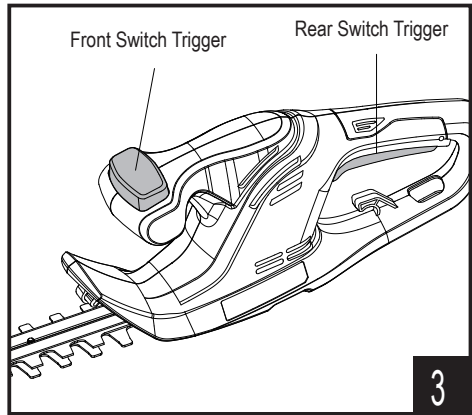
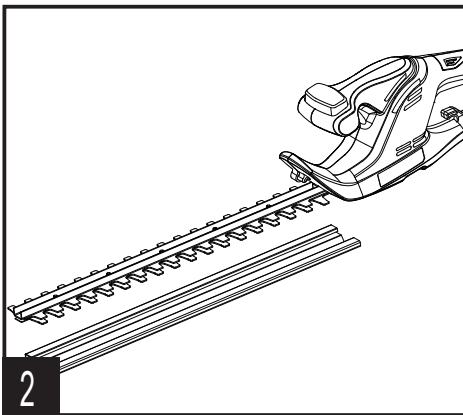
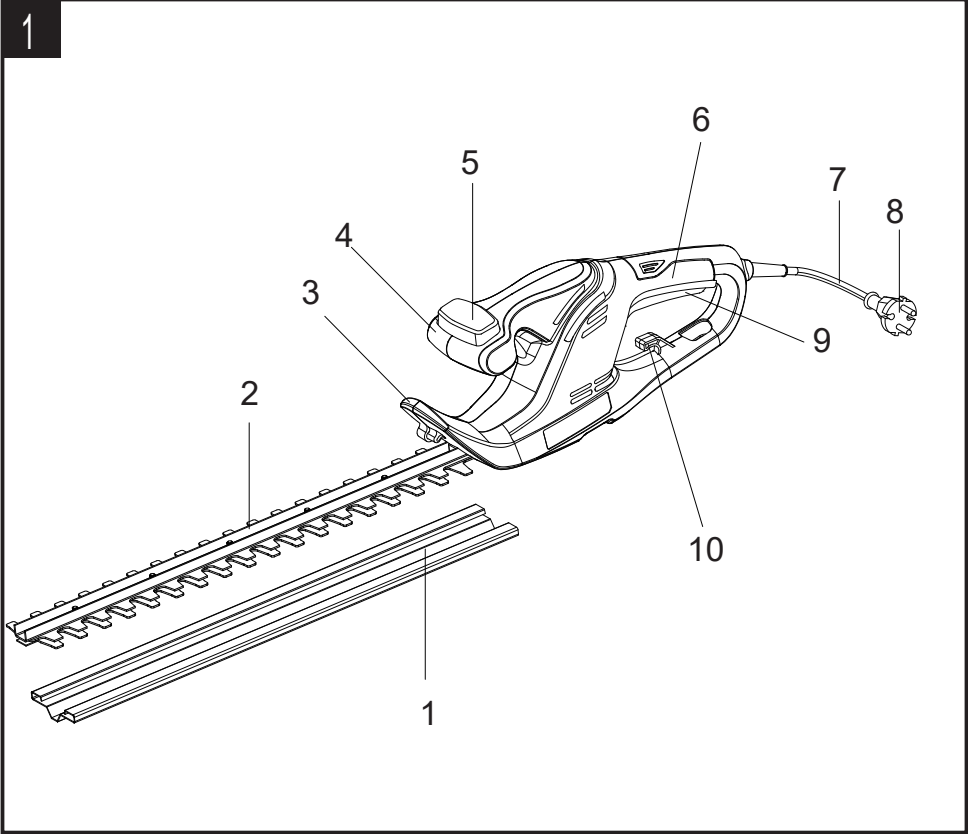
# 220V-240V ELECTRIC HEDGE TRIMMER

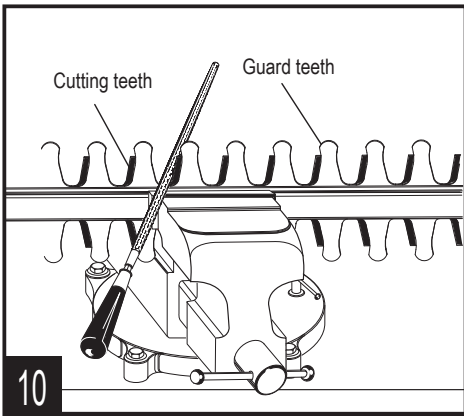
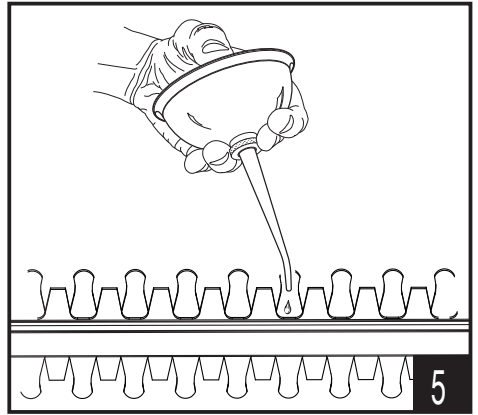
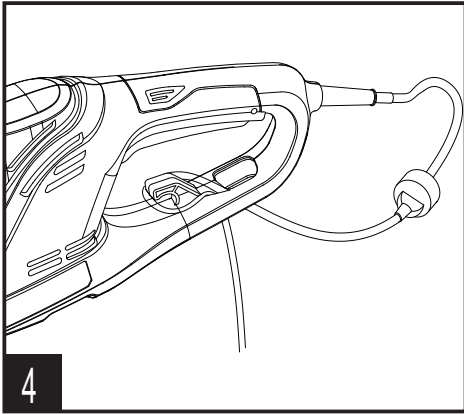
Model: HTE4.5-L



For customer service please find all information on [www.senixtools.com](http://www.senixtools.com)  
CAUTION: BEFORE USING THIS PRODUCT, READ THIS MANUAL AND  
FOLLOW ALL ITS SAFETY RULES AND OPERATING INSTRUCTIONS.

ORIGINAL INSTRUCTIONS





# TABLE OF CONTENTS

SAFETY & INTERNATIONAL SYMBOLS .....	4
SAFETY INSTRUCTIONS.....	5
KNOW YOUR UNIT.....	10
SPECIFICATIONS* .....	10
ASSEMBLY.....	10
OPERATION.....	11
MAINTENANCE.....	12
RECYCLING AND DISPOSAL.....	13
TROUBLESHOOTING.....	14
PARTS.....	15

# SAFETY & INTERNATIONAL SYMBOLS

Explanation of Safety & international symbols describes safety and international symbols and pictographs that may appear on this product. Read the operator's manual for complete safety, assembly, operating and maintenance and repair information.



Caution / Warning.



WARNING – To reduce the risk of injury, user must read instruction manual.



Wear eye protection.



Wear safety footwear.



Wear protective gloves.



DANGER – Keep hands away from blade.



Remove plug from the mains immediately if the power cord/extension cord is damaged or cut.



Switch the product off and disconnect it from

the power supply before assembly, cleaning, adjustments, maintenance, storage and transportation.



Thrown objects can ricochet and result in personal injury or property damage.



Keep all bystanders at least 15 m (50 ft.) away.



Do not use in rain or wet conditions.



WEEE symbol. Waste electrical products should not be disposed of with household waste. Please recycle where facilities exist. Check with your Local Authority or local store for recycling advice.



This products meets the requirements of the relevant standards.



Class II protection.



Guaranteed Sound power level 98 dB(A).

## **SAFETY INSTRUCTIONS**

### **GENERAL POWER TOOL SAFETY WARNINGS**

#### **WARNING!**

**Read all safety warnings and all instructions.** Failure to follow the warnings and instructions may result in electric shock, fire and/or serious injury.

**Save all warnings and instructions for future reference.**

The term "power tool" in the warnings refers to your mains-operated (corded) power tool or battery-operated (cordless) power tool.

#### **1) Work area safety**

- a) **Keep work area clean and well lit.** Cluttered or dark areas invite accidents.
- b) **Do not operate power tools in explosive atmospheres, such as in the presence of flammable liquids, gases or dust.** Power tools create sparks which may ignite the dust or fumes.
- c) **Keep children and bystanders away while operating a power tool.** Distractions can cause you to lose control.

#### **2) Electrical safety**

- a) **Power tool plugs must match the outlet. Never modify the plug in any way. Do not use any adapter plugs with earthed (grounded) power tools.** Unmodified plugs and matching outlets will reduce risk of electric shock.
- b) **Avoid body contact with earthed or grounded surfaces, such as pipes, radiators, ranges and refrigerators.** There is an increased risk of electric shock if your body is earthed or grounded.
- c) **Do not expose power tools to rain or wet conditions.** Water entering a power tool will increase the risk of electric shock.
- d) **Do not abuse the cord. Never use the cord for carrying, pulling or unplugging the power tool. Keep cord away from heat, oil, sharp edges or moving parts.** Damaged or entangled cords increase the risk of electric shock.
- e) **When operating a power tool outdoors, use an extension cord suitable for outdoor use.** Use of a cord suitable for outdoor use reduces the risk of

electric shock.

- f) **If operating a power tool in a damp location is unavoidable, use a residual current device (RCD) protected supply.** Use of an RCD reduces the risk of electric shock.

### 3) Personal safety

- a) **Stay alert, watch what you are doing and use common sense when operating a power tool. Do not use a power tool while you are tired or under the influence of drugs, alcohol or medication.** A moment of inattention while operating power tools may result in serious personal injury.
- b) **Use personal protective equipment. Always wear eye protection.** Protective equipment such as dust mask, non-skid safety shoes, hard hat, or hearing protection used for appropriate conditions will reduce personal injuries.
- c) **Prevent unintentional starting. Ensure the switch is in the off-position before connecting to power source and/or battery pack, picking up or carrying the tool.** Carrying power tools with your finger on the switch or

energising power tools that have the switch on invites accidents.

- d) **Remove any adjusting key or wrench before turning the power tool on.** A wrench or a key left attached to a rotating part of the power tool may result in personal injury.
- e) **Do not overreach. Keep proper footing and balance at all times.** This enables better control of the power tool in unexpected situations.
- f) **Dress properly. Do not wear loose clothing or jewellery. Keep your hair, clothing and gloves away from moving parts.** Loose clothes, jewellery or long hair can be caught in moving parts.
- g) **If devices are provided for the connection of dust extraction and collection facilities, ensure these are connected and properly used.** Use of dust collection can reduce dust-related hazards.
- ### 4) Power tool use and care
- a) **Do not force the power tool. Use the correct power tool for your application.** The correct power tool will do the job better and safer at the rate for which it

- was designed.
- b) **Do not use the power tool if the switch does not turn it on and off.** Any power tool that cannot be controlled with the switch is dangerous and must be repaired.
  - c) **Disconnect the plug from the power source and/or the battery pack from the power tool before making any adjustments, changing accessories, or storing power tools.** Such preventive safety measures reduce the risk of starting the power tool accidentally.
  - d) **Store idle power tools out of the reach of children and do not allow persons unfamiliar with the power tool or these instructions to operate the power tool.** Power tools are dangerous in the hands of untrained users.
  - e) **Maintain power tools. Check for misalignment or binding of moving parts, breakage of parts and any other condition that may affect the power tool's operation. If damaged, have the power tool repaired before use.** Many accidents are caused by poorly maintained power tools.
  - f) **Keep cutting tools sharp and**

**clean.** Properly maintained cutting tools with sharp cutting edges are less likely to bind and are easier to control.

- g) **Use the power tool, accessories and tool bits etc. in accordance with these instructions, taking into account the working conditions and the work to be performed.** Use of the power tool for operations different from those intended could result in a hazardous situation.

## 5) Service

**Have your power tool serviced by a qualified repair person using only identical replacement parts.**

This will ensure that the safety of the power tool is maintained

## HEDGE TRIMMER SAFETY WARNINGS

- **Keep all parts of the body away from the cutter blade. Do not remove cut material or hold material to be cut when blades are moving. Make sure the switch is off when clearing jammed material.** A moment of inattention while operating the hedge trimmer may result in serious personal injury.
- **Carry the hedge trimmer**

by the handle with the cutter blade stopped. When transporting or storing the hedge trimmer always fit the cutting device cover. Proper handling of the hedge trimmer will reduce possible personal injury from the cutter blades.

- **DANGER – Keep hands away from blade.** Contact with blade will result in serious personal injury.
- **Use both hands when operating the hedge trimmer.** Using one hand could cause loss of control and result in serious personal injury.
- **Keep cable away from cutting area.** During operation the cable may be hidden in shrubs and can be accidentally cut by the blade.
- **Hold the power tool by insulated gripping surfaces only, because the cutter blade may contact hidden wiring.** Cutter blades contacting a "live" wire may make exposed metal parts of the power tool "live" and could give the operator an electric shock.
- **Do not overreach and to keep the balance at all times. Always be sure of the**

footing on slopes. Walk when operating the power tool, never run.

- **Do not touch moving hazardous parts before disconnecting the product from the power supply and the moving hazardous parts have come to a complete stop.**
- **Always wear eye and ear protection. Wear protective mask if necessary. Dress properly, do not wear loose clothing or jewelry that could become caught in moving parts of the unit. Safe, sturdy, nonskid footwear should always be worn. Long hair should be tied back.**
- **Do not using the machine in bad weather conditions especially when there is a risk of lightning.**
- **Inspect the area to be cut and remove any foreign objects that will influence your cutting. If the foreign objects can not be removed, e.g. wire fences, please mark and remember it to avoid toughing them during cutting.**
- **Hold the hedge trimmer properly with both hands.**



## **EMERGENCY**

**Familiarize yourself with the use of this product by means of this instruction manual. Memorize the safety directions and follow them to the letter. This will help to prevent risks and hazards.**

- 1. Always be alert when using this product, so that you can recognize and handle risks early.** Fast intervention can prevent serious injury and damage to property.
- 2. Switch off the product and disconnect the product if there are malfunctions.** Have the product checked by a qualified professional and repaired, if necessary, before you operate it again.

## **INTENDED USE**

The product is intended for trimming hedges, bushes and shrubs. Do not cut branches exceeding the maximum cutting width of 18 mm. This product is intended for private domestic use only, not for any commercial trade use. It must not be used for any purposes other than those described.

## KNOW YOUR UNIT

### APPLICATIONS

Model: HTE4.5-L

As a hedge trimmer:

Cutting and trimming hedges and bushes in domestic use.

1	Blade cover
2	Blade
3	Guard
4	Front handle
5	Front Switch Trigger
6	Rear Handle
7	Power Cord
8	Power Plug
9	Rear Switch Trigger
10	Cord Hook

## SPECIFICATIONS\*

Model	HTE4.5-L
Rated Power	450W
No-load speed	3800/min
Cutting length	450mm
Tooth opening	18mm
Net weight	2.5kg

## ASSEMBLY

1. Unpack all parts and lay them on a flat, stable surface:
2. Remove all packing materials and shipping devices, if applicable.
3. The scope of delivery varies depending on the country and purchased variant:  
Model of HTE4.5-L
  - Hedge Trimmer x1
  - Blade Cover x1
  - Instruction Manual x1
4. If you find that parts are missing or show damage do not use the product but contact your dealer. Using an incomplete or damaged product represents a hazard to people and property.
5. Ensure that you have all the accessories and tools needed for assembly and operation. This also includes suitable personal protective equipment.



### WARNING:

Wear protective gloves for this assembly work and always lay the product on a flat and stable surface while assembling.



Follow the assembly instructions step-by-step and use the pictures provided as a visual guide to easily assemble the product!



## REMOVING THE BLADE COVER

It is recommended to cover the blades when your work is finished. Remove this cover before you turn on the machine (Fig. 2).

## OPERATION



### WARNING:

Always wear eye, hearing, hand, foot and body protection to reduce the risk of injury when operating this unit. Keep all parts of your body away from the rotating cutting attachment and hot surfaces.

## GENERAL

- Check the product as well as accessories for damage before each use. Do not use the product if it is damaged or shows wear.
- Double check that all parts are properly fixed.
- Always hold the product on its handles. Keep the handles dry and free from lubricant to ensure safe holding.
- Ensure that the air vents are always unobstructed and clear. Clean them if necessary with a soft brush. Blocked air vents may lead to overheating and damage the product.
- Switch the product off immediately if you are disturbed while working by other people entering the working area. Always let the product come to complete stop before putting it down.
- Do not overwork yourself. Take regular breaks to ensure you can concentrate on the work and have full control over the product.
- Keep your body and feet in safety distance to cutting head.



### NOTE:

In some countries regulations define at what time of the day and on what special days products are allowed to be used and what restrictions apply! Ask your community for detailed information and observe the regulations in order to preserve a peaceful neighborhood and avoid committing administrative offences.

## CUTTING PROCEDURE



### WARNING:

Always lubricate the cutting blade with protective spray before use and storage.

1. Inspect the area to be cut and remove any foreign objects that will influence your cutting. If the foreign objects can not be removed, e.g. wire fences, please mark and remember it to avoid toughing them during cutting.
2. Run the machine to top speed before cutting.
3. Keep your body and feet in safety distance to cutting head.

## CUTTING TIPS



### WARNING:

Never cut near electric cords or lines. If blade jams on any electrical cord or line, **DO NOT TOUCH THE BLADE! IT CAN BECOME ELECTRICALLY LIVE AND VERY DANGEROUS.** Continue to hold the hedge trimmer by the insulated rear handle or lay it down and away from you in a safe manner. Disconnect the electrical service to the damaged line or cord before attempting to free the blade from the line or cord. Contact with the blade, other conductive parts of the hedge trimmer, or live electric cords or lines will result in death by electrocution or serious injury.



### WARNING:

Clear the area to be cut before each use. Remove all objects such as cords, lights, wire, or loose string which can become entangled in the cutting blade and create a risk of serious personal injury.

- Before starting the hedge trimmer, hold the unit with both hands with the cutting blades directed away from you. Always use the hedge trimmer properly.
- Do not force the hedge trimmer through heavy shrubbery. This can cause the blades to bind and slow down. If the blades slow down, reduce the pace.
- Do not try to cut stems or twigs that are larger than 3/4 in. thick, or those obviously too large to feed into the cutting blade. Use a non-powered hand saw or pruning saw to trim large stems.

- If blades do become jammed, stop the product, allow the blades to stop and disconnect the product before attempting to remove the obstruction.
- If desired, you can use a string to help cut your hedge level. Decide how high you want the hedge.
- Then, stretch a piece of string along the hedge at this height. Trim the hedge just above this guide line of string. Trim the side of a hedge so that it will be slightly narrower at the top. More of the hedge will be exposed when shaped this way, and it will be more uniform.
- Always hold hedge trimmer with both hands when operating. Use a firm grip on the handles. The unit is used for cutting in either direction in a slow, sweeping action from side to side.



## WARNING:

Always keep both hands on the hedge trimmer handles. Never hold shrubs with one hand and operate the hedge trimmer with the other. Improper operation of the hedge trimmer could result in serious injury.

- Wear gloves when trimming thorny or prickly growth. When trimming new growth, use a wide sweeping action, so that the stems are fed directly into the cutting blade. Older growth will have thicker stems and will be trimmed easiest by using a sawing movement.

## SWITCHING ON/OFF

To start:

1. Remove the blade cover.
2. Connect to the power source.
3. Press the front switch and the rear trigger at same time (Fig.3).



## NOTE:

For safety reason, this tool starts only when two triggers are pressed.



## NOTE:

If an extension cord is required, hook the cord to protect you from being tripped (Fig.3).

To stop:

The hedge trimmer will stop once either front or rear switch trigger is released.

## MAINTENANCE



## WARNING:

Disconnect the product from the power supply before maintenance!



## WARNING:

Wear protective clothing and observe all safety instructions to prevent serious personal injury.



## WARNING:

Only perform cleaning and maintenance work according to these instructions! All further works must be performed by a qualified specialist! And only use specified spare parts for replacement.

Maintain this product regularly and carefully! If the product is improperly maintained, it may fail at its intended task, which may produce fatal consequences.

1. Keep the product clean. Remove debris from it after each use and before storage.
2. Regular and proper cleaning will help ensure safe use and prolong the life of the product.
3. Inspect the product before each use for worn and damaged parts. Do not operate it if you find broken and worn parts.

## LUBRICATING THE BLADE



## WARNING:

Always allow the blades of the hedge trimmer to come to a stop and remove and disconnect the product from the power supply before lubricating. Failure to do so could result in accidental starting causing possible serious personal injury.

For easier operation and longer blade life, lubricate the hedge trimmer blade before and after each use.

Disconnect the product from the power supply. Lay the hedge trimmer on a flat surface. Apply light weight machine oil along the edge of the top blade(Fig.3).



## NOTE:

If you will be using the hedge trimmer for an extended time, it is advisable to oil the blade periodically.

## SHARPENING THE BLADE

Allow the blades of the hedge trimmer to come to a stop in the position shown. This will allow clearance for the file between the cutter teeth and the guard teeth.

Disconnect the product from the power supply.

Clamp the blade assembly in a vise and file the exposed cutting surface of each blade tooth with an 8 in. smooth round file, 1/4 in. or 7/32 in. in diameter. Be sure to retain the original angle of the tooth when filing.

Remove the hedge trimmer from the vise, disconnect the product from the power supply, and restart the hedge trimmer. Allow the blades of the hedge trimmer to come to a stop so that the unsharpened edges on the other side of the cutter blade teeth are exposed (Fig.4).

## CLEANING



### WARNING:

Always switch the product off, disconnect the product and let the product cool down before performing inspection, maintenance and cleaning work!

Use a small brush to clean the outside of the unit. Do not use strong detergents. Household cleaners that contain aromatic oils such as pine and lemon, and solvents such as kerosene, can damage plastic. Wipe off any moisture with a soft cloth.

Inspect the product before and after each use for worn and damaged parts. Do not operate it if you find worn and damaged parts.



## NOTE:

If the cutting blade is blocked by foreign objects during the operating, stop the product, wait for the cutting blade stops entirely, remove the foreign objects and clean the cutting blade.

## TRANSPORT

1. Clean the product as described above.
2. Always carry the product by its handle.
3. Protect the product from any heavy impact or strong vibrations which may occur during transportation in vehicles.
4. Secure the product to prevent it from slipping or falling over, damage or injury.

## STORAGE

1. Clean the product as described above.
2. Store the product and its accessories in a dark, dry, frost-free, well-ventilated place.
3. Always store the product in a place that is inaccessible to children. The ideal storage temperature is between 10 °C and 30 °C.
4. We recommend using the original package for storage or covering the product with a suitable cloth or enclosure to protect it against dust.

## RECYCLING AND DISPOSAL



Disposal of waste electric and electronic equipment (WEEE)

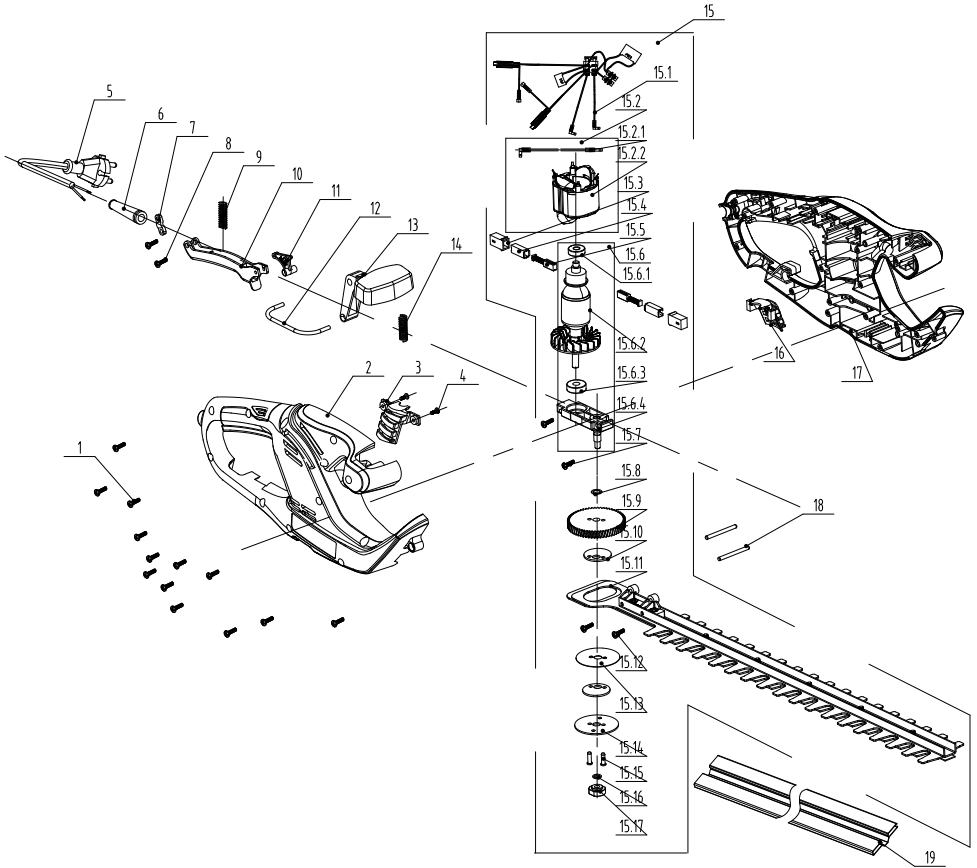
Waste electric and electronic equipment shall not be disposed of with household waste. Please recycle where facilities exist. Check with your local authority for recycling advice.

# TROUBLESHOOTING

Suspected malfunctions are often due to causes that the users can fix themselves. Therefore, check the product using this section. In most cases the problem can be solved quickly.

PROBLEM	POSSIBLE CAUSE	SOLUTION
Product does not start	Not connected to power supply	Connect to power supply
	Power cord or plug is defective	Check by a specialist electrician
	Other electrical defect to the product	Check by a specialist electrician
	Wrong startup steps.	Refer to chapter "SWITCHING ON/OFF"
Product does not reach full power	Extension cord not suitable	Use a proper extension cord
	Air vents are blocked	Clean the air vents
Result is unsatisfactory	Cutting attachment is worn	Sharpen or replace with a new one
Vibration or noise is excessive	Bolts/nuts are loose	Tighten bolts/nuts
Product suddenly stops	Disconnect from the power supply	Connect to power supply

# PARTS



No.	Part #	Description	Qty.
1	8SJAB40-16	Self tapping screw	14
2	202016004969	Right Housing	1
3	8024-530902-0100120	Right hood	1
4	8SJGB30-08D	Compound groove pan head tapping screw	2
5	8422-000003-0000020	VDE power cord	1
6	8332-532101-0100020	Power sheath	1
7	8184-282101-0001720	Cable pressing plate	1
8	8SJAB40-10D	Self tapping screw	2
9	8342-740201-0000000	Switch spring	1
10	202004001049	Rear switch trigger	1

11	202171000013	Rotary rod	1
12	201053000013	Steel rod	1
13	202004001048	Front switch trigger	1
14	8342-740201-0000000	Switch spring	1
15	199015000046	Gearbox Assembly	1
15.1	199084000097	Connector assembly	1
15.2	8440-531509-0000010	Stator assembly	1
15.2.1	207031200057	Connecting line	1
15.2.3	107001000156	Stator assembly	1
15.3	8409-534803-0000010	Brush holder housing	2
15.4	8409-530502-0000000	copper brush	2
15.5	8406-531501-0100010	Carbon brush	2
15.6	8440-530903-0000110	Rotor assembly	1
15.6.1	207390100018	607 bearing	1
15.6.2	106001000224	Rotor assembly	1
15.6.3	207390100043	608 bearing	1
15.6.4	201152000019	Bearing housing	1
15.7	8SJAB40-16D	Self tapping screw	2
15.8	8202-530503-0000000	Washer A	1
15.9	8123-531501-0100000	big gear wheel	1
15.10	201005000024	Eccentric wheel	2
15.11	199029000159	Blade assembly	1
15.12	8SJAB40-16D	Self tapping screw	2
15.13	8321-531501-0000000	Blade protection insert	1
15.14	8325-531503-0000000	Fixing plate	1
15.15	8086-531501-0000000	Pin	2
15.16	8321-751202-0000000	Washer	1
15.17	8334-530901-0000000	Screw sleeve	1
16	8024-530901-0100120	Left hood	1
17	202016004970	Left housing	1
18	8086-753502-0000000	Blade fixing pi	2
19	202009000191	Blade cover	1