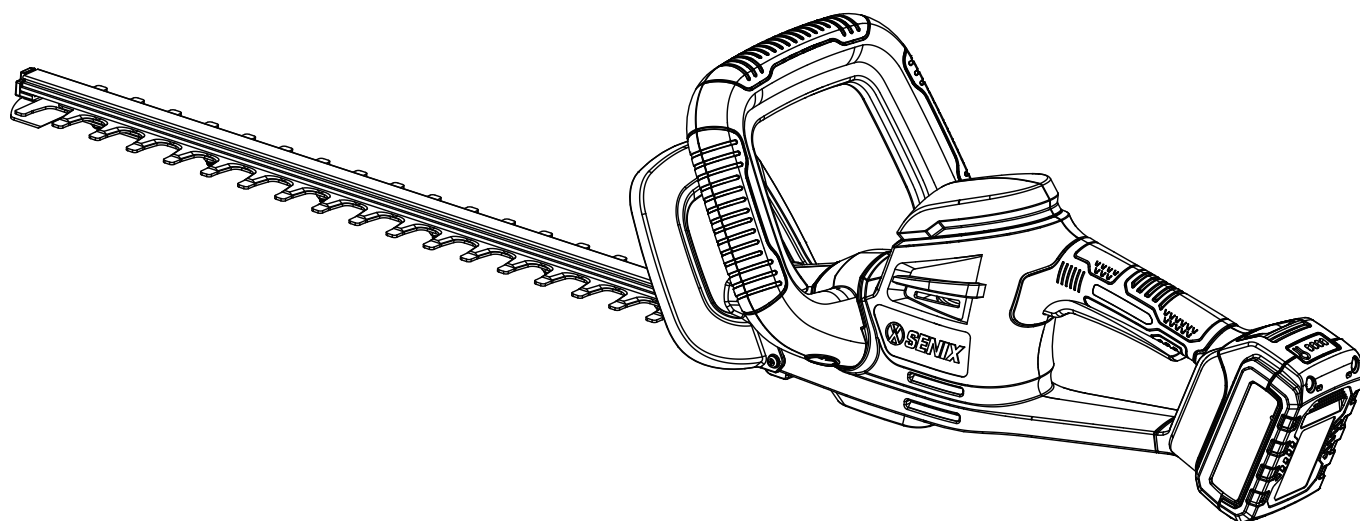




EN Operator's manual
20V MAX LITHIUM-ION HEDGE TRIMMER

Model: HTX2-M
HTX2-M-EU



For customer service please find all information on www.senixtools.com
CAUTION: BEFORE USING THIS PRODUCT, READ THIS MANUAL AND FOLLOW ALL ITS SAFETY RULES
AND OPERATING INSTRUCTIONS.
ORIGINAL INSTRUCTIONS

• SAFETY & INTERNATIONAL SYMBOLS •

This operator's manual describes safety and international symbols and pictographs that may appear on this product. Read the operator's manual for complete safety, assembly, operating and maintenance and repair information.



This graphic accompanied by the words **WARNING, DANGER OR CAUTION** calls attention to an act of a condition which can lead to **SERIOUS INJURY**.



Keep all bystanders at least 50 ft. away



WARNING – To reduce the risk of injury, user must read instruction manual



Do not expose to rain.



Wear eye protection



Thrown objects can ricochet and result in personal injury or property damage.



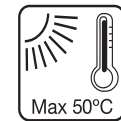
Wear slip-resistant foot protection.



The product complies with the applicable European directives and an evaluation method of conformity for these directives was done



Wear gloves.



Use and store the battery within an temperature between 0°C and 50°C.



DANGER – Keep hands away from blade



Li-ion battery. This product has been marked with a symbol relating to 'separate collection' for all battery packs and battery pack. It will then be recycled or dismantled in order to reduce the impact on the environment.



Do not disassemble, crush, heat above 100°C ;
Never expose the battery to microwaves or high pressures.



Electrical products should not be discarded with household products. Used electrical products must be collected separately and disposed of at collection points provided for this purpose. Talk with your local authorities or dealer for advice on recycling.

TABLE OF CONTENTS

SAFETY.....	3
KNOW YOUR UNIT.....	9
SPECIFICATIONS*	10
ASSEMBLY.....	11
OPERATION.....	12
MAINTENANCE.....	15
CLEANING AND STORAGE.....	16
TROUBLESHOOTING.....	17
PARTS.....	18

SAFETY

GENERAL POWER TOOL SAFETY WARNINGS



WARNING

Read all safety warnings and all instructions. Failure to follow the warnings and instructions may result in electric shock, fire and/or serious injury. **Save all warnings and instructions for future reference.**

The term "power tool" in the warnings refers to your mains-operated (corded) power tool or battery-operated (cordless) power tool.

1) Work area safety

- a) **Keep work area clean and well lit.**
Cluttered or dark areas invite accidents.
- b) **Do not operate power tools in explosive atmospheres, such as in the presence of flammable liquids, gases or dust.** *Power tools create sparks which may ignite the dust or fumes.*
- c) **Keep children and bystanders away while operating a power tool.**
Distractions can cause you to lose control.

2) Electrical safety

- a) **Power tool plugs must match the outlet. Never modify the plug in any way. Do not use any adapter plugs with earthed (grounded) power tools.**
Unmodified plugs and matching outlets will reduce risk of electric shock.

- b) **Avoid body contact with earthed or grounded surfaces, such as pipes, radiators, ranges and refrigerators.**
There is an increased risk of electric shock if your body is earthed or grounded.
- c) **Do not expose power tools to rain or wet conditions.** *Water entering a power tool will increase the risk of electric shock.*
- d) **Do not abuse the cord. Never use the cord for carrying, pulling or unplugging the power tool. Keep cord away from heat, oil, sharp edges or moving parts.** *Damaged or entangled cords increase the risk of electric shock.*
- e) **When operating a power tool outdoors, use an extension cord suitable for outdoor use.** *Use of a cord suitable for outdoor use reduces the risk of electric shock.*
- f) **If operating a power tool in a damp location is unavoidable, use a residual current device (RCD) protected supply.** *Use of an RCD reduces the risk of electric shock.*

3) Personal safety

- a) **Stay alert, watch what you are doing and use common sense when operating a power tool. Do not use a power tool while you are tired or under the influence of drugs, alcohol or medication.** *A moment of inattention while operating power tools may result*

in serious personal injury.

b) Use personal protective equipment.

Always wear eye protection.

Protective equipment such as dust mask, non-skid safety shoes, hard hat, or hearing protection used for appropriate conditions will reduce personal injuries.

c) Prevent unintentional starting.

Ensure the switch is in the off-position before connecting to power source and/or battery pack, picking up or carrying the tool. Carrying power tools with your finger on the switch or energising power tools that have the switch on invites accidents.

d) Remove any adjusting key or wrench before turning the power tool on.

A wrench or a key left attached to a rotating part of the power tool may result in personal injury.

e) Do not overreach. Keep proper footing and balance at all times. This enables better control of the power tool in unexpected situations.

f) Dress properly. Do not wear loose clothing or jewellery. Keep your hair, clothing and gloves away from moving parts. Loose clothes, jewellery or long hair can be caught in moving parts.

g) If devices are provided for the connection of dust extraction and collection facilities, ensure these are connected and properly used. Use of dust collection can reduce dust-related hazards.

h) Do not let familiarity gained from frequent use of tools allow you to become complacent and ignore tool safety principles. A careless action can cause severe injury within a fraction of a second.

4) Power tool use and care

a) Do not force the power tool. Use the correct power tool for your application. The correct power tool will

do the job better and safer at the rate for which it was designed.

b) Do not use the power tool if the switch does not turn it on and off. Any power tool that cannot be controlled with the switch is dangerous and must be repaired.

c) Disconnect the plug from the power source and/or the battery pack from the power tool before making any adjustments, changing accessories, or storing power tools. Such preventive safety measures reduce the risk of starting the power tool accidentally.

d) Store idle power tools out of the reach of children and do not allow persons unfamiliar with the power tool or these instructions to operate the power tool. Power tools are dangerous in the hands of untrained users.

e) Maintain power tools. Check for misalignment or binding of moving parts, breakage of parts and any other condition that may affect the power tool's operation. If damaged, have the power tool repaired before use. Many accidents are caused by poorly maintained power tools.

f) Keep cutting tools sharp and clean. Properly maintained cutting tools with sharp cutting edges are less likely to bind and are easier to control.

g) Use the power tool, accessories and tool bits etc. in accordance with these instructions, taking into account the working conditions and the work to be performed. Use of the power tool for operations different from those intended could result in a hazardous situation.

h) Keep handles and grasping surfaces dry, clean and free from oil and grease. Slippery handles and grasping surfaces do not allow for safe handling and control of the tool in unexpected situations.

5) Battery tool use and care

- a) **Recharge only with the charger specified by the manufacturer.** *A charger that is suitable for one type of battery pack may create a risk of fire when used with another battery pack.*
- b) **Use power tools only with specifically designated battery packs.** *Use of any other battery packs may create a risk of injury and fire.*
- c) **When battery pack is not in use, keep it away from other metal objects, like paper clips, coins, keys, nails, screws or other small metal objects, that can make a connection from one terminal to another.** *Shorting the battery terminals together may cause burns or a fire.*
- d) **Under abusive conditions, liquid may be ejected from the battery; avoid contact. If contact accidentally occurs, flush with water. If liquid contacts eyes, additionally seek medical help.** *Liquid ejected from the battery may cause irritation or burns.*
- e) **Do not use a battery pack or tool that is damaged or modified.** *Damaged or modified batteries may exhibit unpredictable behaviour resulting in fire, explosion or risk of injury.*
- f) **Do not expose a battery pack or tool to fire or excessive temperature.** *Exposure to fire or temperature above 130 °C may cause explosion.*
- g) **Follow all charging instructions and do not charge the battery pack or tool outside the temperature range specified in the instructions.** *Charging improperly or at temperatures outside the specified range may damage the battery and increase the risk of fire.*

6) Service

- a) **Have your power tool serviced by a qualified repair person using only identical replacement parts.** *This will ensure that the safety of the power tool*

is maintained.

- b) **Never service damaged battery packs.** *Service of battery packs should only be performed by the manufacturer or authorized service providers.*

HEDGE TRIMMER SAFETY WARNINGS

- **Keep all parts of the body away from the cutter blade. Do not remove cut material or hold material to be cut when blades are moving. Make sure the switch is off when clearing jammed material.** *A moment of inattention while operating the hedge trimmer may result in serious personal injury.*
- **Carry the hedge trimmer by the handle with the blade stopped and taking care not to operate any power switch.** *Proper carrying of the hedge trimmer will decrease the risk of inadvertent starting and resultant personal injury from the blades.*
- **When transporting or storing the hedge trimmer, always fit the blade cover.** *Proper handling of the hedge trimmer will decrease the risk of personal injury from the blades.*
- **When clearing jammed material or servicing the unit, make sure all power switches are off and the battery pack is removed or disconnected.** *Unexpected actuation of the hedge trimmer while clearing jammed material or servicing may result in serious personal injury.*
- **When clearing jammed material or servicing the unit, make sure all power switches are off and the lock-off is in the locked position.** *Unexpected actuation of the hedge trimmer while clearing jammed material or servicing may result in serious personal injury.*
- **Hold the hedge trimmer by insulated gripping surfaces only, because the blade may contact hidden wiring.** *Blades contacting a "live" wire may*

make exposed metal parts of the hedge trimmer "live" and could give the operator an electric shock.

- **Keep all power cords and cables away from cutting area.** Power cords or cables may be hidden in hedges or bushes and can be accidentally cut by the blade.
- **Do not use the hedge trimmer in bad weather conditions, especially when there is a risk of lightning.** This decreases the risk of being struck by lightning.
- **DANGER – Keep hands away from blade.** Contact with blade will result in serious personal injury.
- **Use both hands when operating the hedge trimmer. Using one hand could cause loss of control and result in serious personal injury.**
- **Keep cable away from cutting area.** During operation the cable may be hidden in shrubs and can be accidentally cut by the blade.
- **Hold the power tool by insulated gripping surfaces only, because the cutter blade may contact hidden wiring.** Cutter blades contacting a "live" wire may make exposed metal parts of the power tool "live" and could give the operator an electric shock.
- **Do not overreach and to keep the balance at all times. Always be sure of the footing on slopes. Walk when operating the power tool, never run.**
- **Do not touch moving hazardous parts before the battery pack is removed and the moving hazardous parts have come to a complete stop.**
- **Always wear eye and ear protection. Wear protective mask if necessary. Dress properly, do not wear loose clothing or jewelry that could become caught in moving parts of the unit. Safe, sturdy, nonskid footwear should always be worn. Long hair should be tied back.**
- **Remove the battery pack:**

1. Whenever the machine is left by the user;
 2. Before clearing a blockage;
 3. Before checking, cleaning or working on the machine;
 4. After striking a foreign object to inspect the machine for damage;
 5. If the machine starts to vibrate abnormally, for immediately check.
- **Do not using the machine in bad weather conditions especially when there is a risk of lightning.**
 - **Inspect the area to be cut and remove any foreign objects that will influence your cutting. If the foreign objects can not be removed, e.g. wire fences, please mark and remember it to avoid toughing them during cutting.**
 - **Hold the hedge trimmer properly with both hands.**

BATTERY PACK SAFETY WARNINGS

- **Ensure the switch is in the off position before inserting battery pack. Inserting the battery pack into machines that have the switch on can cause accidents.**
- **Use only original battery packs intended specifically for this machine. Use of any other battery packs may create a risk of injury and fire.**
- **Do not open the battery. Danger of short-circuiting.**
- **Protect the battery against heat (e. g., against continuous intense sunlight and fire) water and moisture. Danger of explosion.**
- **In case of damage and improper use of the battery, vapours may be emitted. Ventilate the area and seek medical help in case of complaints. The vapours can irritate the respiratory system.**
- **Use the battery pack only in conjunction with this product and/or product family. This measure alone protects the battery against dangerous overload.**

- The battery can be damaged by pointed objects such as nails or screwdrivers or by force applied externally. An internal short circuit can occur and the battery can burn, smoke, explode or overheat.
- Do not short-circuit the battery. There is danger of explosion.
- Longest life and best performance can be obtained if the battery pack is charged when the air temperature is between 18°C and 24°C. **DO NOT** charge the battery pack in an air temperature below 0°C, or above 50°C. This is important and will prevent serious damage to the battery pack.
- Do not store the battery outside or in vehicles. Store the battery within an temperature between 0°C and 50°C.
- Occasionally clean the venting slots and contact pins of the battery pack using a soft, clean and dry brush.

BATTERY CHARGER SAFETY WARNINGS



Read all safety warnings and instructions before using the charger.



Only for indoor use!



Class II protection.

- This appliance is not intended for use by children and persons with physical, sensory or mental limitations or a lack of experience or knowledge. This appliance can be used by children aged from 8 years and above and persons with reduced physical, sensory or mental capabilities or lack of experience and knowledge if they have been given supervision or instruction concerning use of the appliance in a safe way and understand the hazards involved. Children shall not play with

the appliance. Cleaning and user maintenance shall not be made by children without supervision.

- Only charge the Lithium-Ion battery pack with a capacity of 2.5Ah or 5Ah as mentioned in this instruction manual. Do not charge non-rechargeable batteries.
- The battery and charger must be placed in a well ventilated area.
- Do not operate the battery charger on easily inflammable surfaces (e. g., paper, textiles, etc.) or surroundings. The heating of the battery charger during the charging process can pose a fire hazard.
- Do not cover the ventilation slots of the battery charger. Otherwise, the battery charger can overheat and no longer operate properly.
- The supply cord cannot be replaced. If the cord is damaged the appliance should be scrapped.
- If the supply cord is damaged, it must be replaced by the manufacturer, its service agent or similarly qualified persons in order to avoid a hazard.

EMERGENCY

Familiarize yourself with the use of this product by means of this instruction manual. Memorize the safety directions and follow them to the letter. This will help to prevent risks and hazards.

1. Always be alert when using this product, so that you can recognize and handle risks early. Fast intervention can prevent serious injury and damage to property.
2. Switch off the product and remove the battery pack if there are malfunctions. Have the product checked by a qualified professional and repaired, if necessary, before you operate it again.

INTENDED USE

The product is intended for trimming hedges, bushes and shrubs. Do not cut branches exceeding the maximum cutting width of 20 mm. This product is intended for private domestic use only, not for any commercial use. It must not be used for any purposes other than those described.

NOTE: The hedge trimmer is intended for operators near the ground and not on ladders or other unstable surface.

RESIDUAL RISKS

Even if you are operating this product in accordance with the provisions, residual risks will always still remain. The following dangers can arise in connection with the structure and design of this product:

1. Health defects resulting from vibration emission if the product is being used over longer period of time or not adequately managed and properly maintained.
2. Injuries and damage to property to due to broken accessories or hidden objects that are suddenly dashed.
3. Injuries and damage to property to due to thrown and fallen objects.
4. Prolonged use of this product expose the operator to vibrations and may produce 'whitefinger' disease. In order to reduce the risk, please wear gloves and keep your hands warm. If any of the 'whitefinger' symptoms appear, seek medical advice immediately. 'Whitefinger' symptoms include: numbness, loss of feeling, tingling, pricking, pain, loss of strength, changes in skin colour or condition. These symptoms normally appear in the fingers, hands or wrists. The risk increases at low temperatures.

WARNING

This unit produces an electromagnetic field during operation. This field may, under some circumstances, interfere with active or passive medical implants. To reduce the risk of serious or fatal injury, we recommend persons with medical implants to consult their physician and the medical implant manufacturer before operating this unit.

KNOW YOUR UNIT

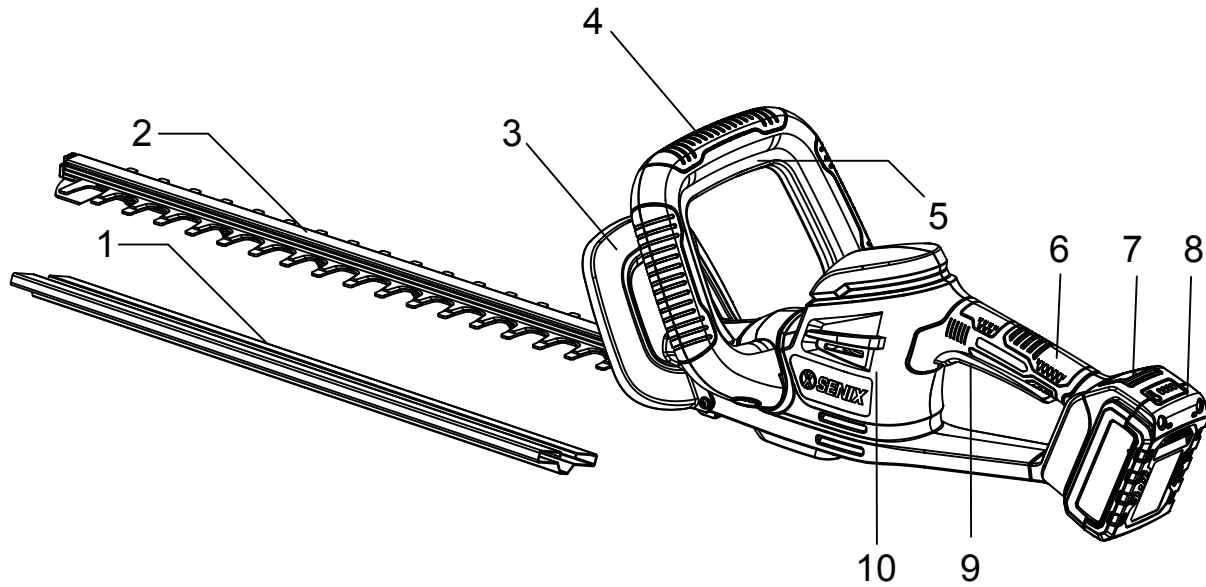
APPLICATIONS

Model: HTX2-M-EU

HTX2-M-EU-0

As a hedge trimmer:

- Cutting and trimming hedges and bushes in domestic use.



1	Blade cover	6	Handle
2	Cutting blades	7	Unlock button for battery pack
3	Guard	8	Battery pack
4	Front handle	9	Switch trigger
5	Interlocking switch	10	Cover

NOTE: The model of HTX2-M-EU include the battery pack, but the model of HTX2-M-EU-0 do not include the battery pack.

SPECIFICATIONS*

NOTE: The model of HTX2-M-EU include the battery pack, but the model of HTX2-M-EU-0 do not include the battery pack.

Model	HTX2-M / HTX2-M-EU
Input voltage	20V max d.c.
No-load speed	2600min ⁻¹ ±10%
Cutting length	465 mm
Cutting capacity	20 mm
Net weight without battery pack	2.5 kg
Battery pack model number	B25X2
Rated voltage	18 V ===
Rated capacity	2.5 Ah
Weight	Approx. 0.335 kg
Charger model number	CHX2
Rated input	100-240 V ~ 50/60 Hz
Rated output	22.5±0.5 V === , 2±0.2 A
Charging time (with 2.5 Ah battery)	90 mins
Protection class	□ / II
Weight	Approx. 0.34 kg

ASSEMBLY

This product requires assembly. Carefully remove the product and any accessories from the box. Make sure that all items listed in the packing list are included. Inspect the product carefully to make sure no breakage or damage occurred during shipping.

Do not discard the packing material until you have carefully inspected and satisfactorily operated the product. If any parts are damaged or missing, please call 49 (0)40 854 10 40 - 14 for assistance.

! WARNING:

Do not use this product if it is not completely assembled or if any parts appear to be missing or damaged. Using a product that is not properly and completely assembled could result in serious personal injury.

PACKING LIST

Hedge Trimmer x1	Battery Pack x1
Blade Cover x1	Battery Charger x1
Screw x2	
Front Handle x1	
Operator's Manual x1	

NOTE: The model of HTX2-M-EU-0 do not include the battery pack and battery charger.

ASSEMBLING THE FRONT HANDLE

! WARNING:

To avoid serious personal injury and damage to the unit, shut the unit off before removing or installing an attachment.

Assemble the front handle as shown in below (Fig. 1).

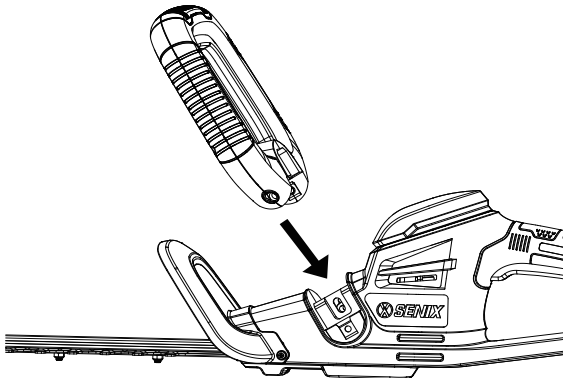


Fig. 1

Fix the front handle with 2 screws (Fig. 2).

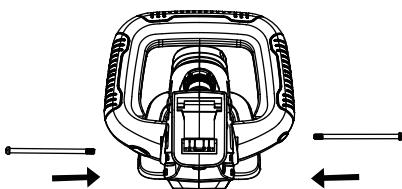


Fig. 2

REMOVING THE BLADE COVER

It is recommended to cover the blades when your work is finished. Remove this cover before you turn on the machine (Fig. 3).

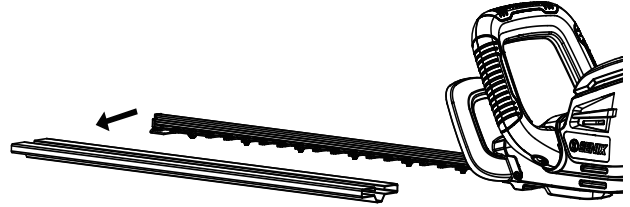


Fig. 3

! WARNING:

Before using any attachments, read and understand the manual that came with attachments. Follow all safety informations contained within.

OPERATION

HOLDING THE UNIT

! WARNING:

Always wear eye, hearing, hand, foot and body protection to reduce the risk of injury when operating this unit. Keep all parts of your body away from the rotating cutting attachment and hot surfaces.

! WARNING:

Battery pack and charger must be used from its manufacturer : SENIX Europe GmbH, Theodorstraße 42 – 90, Haus 2b 22761 Hamburg ,Germany .The model of the battery pack and charger have been shown in this manual.

GENERAL

1. Check the product as well as accessories for damage before each use. Do not use the product if it is damaged or shows wear.
2. Double check that all parts are properly fixed.
3. Always hold the product on its handles. Keep the handles dry and free from lubricant to ensure safe holding.
4. Ensure that the air vents are always unobstructed and clear. Clean them if necessary with a soft brush. Blocked air vents may lead to overheating and damage the product.
5. Switch the product off immediately if you are disturbed while working by other people entering the working area. Always let the product come to complete stop before putting it down.
6. Do not overwork yourself. Take regular breaks to ensure you can concentrate on the work and have full control over the product.

! WARNING:

In some countries regulations define at what time of the day and on what special days products are allowed to be used and what restrictions apply! Ask your community for detailed information and observe the regulations in order to preserve a peaceful neighborhood and avoid committing administrative offences.

The cover of the battery pack is broken, or the battery pack may discharge continuously for too long, and the temperature of the battery pack is too high, which will lead to leakage of the battery pack. Once the leakage occurs, shut down the unit, take out the battery pack and recycle it to the manufacturer.

HOW TO CHARGE THE BATTERY PACK

! WARNING:

This Lithium-Ion battery pack is shipped partially charged. Fully charge the battery pack before using it for the first time.

1. Charge the Lithium-Ion battery pack only with the correct charger.
2. Connect the charger to a power supply, the light indicator of the charger turns red.
3. Align the raised ribs of the battery pack with the slot in the charger.
4. Insert the battery pack into the charger, the light indicator of the charger turns green and it flashes.
5. The charger will communicate with the battery pack to evaluate the condition of the battery pack (Fig.4).

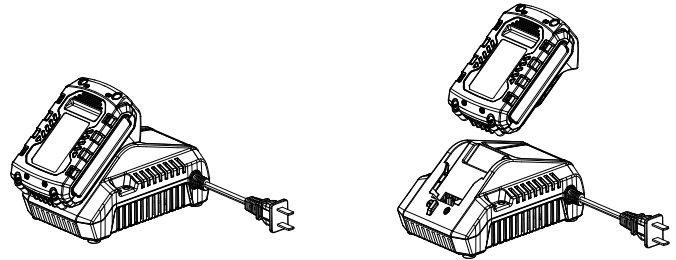


Fig. 4

CHARGING INDICATOR

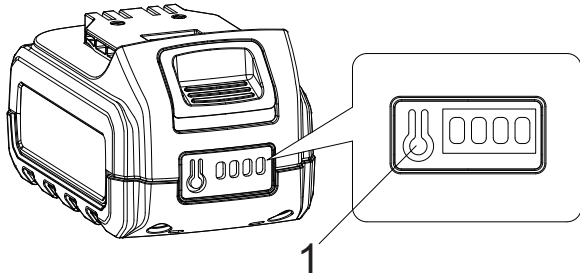
NOTE: Press the light button (Fig. 5) to check the battery pack whether needs to charge.

Lights			Status
Lighted	Off	Blinking	
█	□	▬	
████			The battery is at full capacity.
████□			The battery is at 75% capacity.
███□□			The battery is at 50% capacity and requires charging.
██□□			The battery is at 25% capacity and requires charging soon.
▬□□□			The battery is less than 5% capacity and requires charging immediately.

! WARNING:

Malfunctions may occur when the four lights blinking in turns.

OPERATION



1-Light button

Fig. 5

OVERHEAT PROTECTION

When the tool/battery is overheated, the tool stops automatically. In this situation, let the power tool/battery cool before turning the tool on again.

OVERDISCHARGE PROTECTION

When the battery capacity is not enough, the tool stops automatically. In this case, remove the battery from the tool and charge the battery.

HOW TO REMOVE THE BATTERY PACK FROM THE CHARGER

It is fully charged that the four lights of the battery turn on.

Disconnect the power supply from the charger.
Remove battery pack from the charger.

INSTALLING/REMOVING THE BATTERY PACK



WARNING:

Make sure battery pack snaps in place.
Failure to securely seat the battery pack could cause the battery pack to fall out, resulting in serious personal injury.

To install:

To attach, align and slide the battery pack onto the slots of the battery docking port until it locks in place (Fig. 6).

To remove:

To release, press the unlock button for battery pack of the product and remove the battery pack from the product.

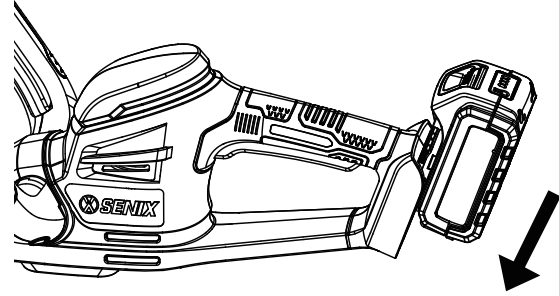


Fig. 6

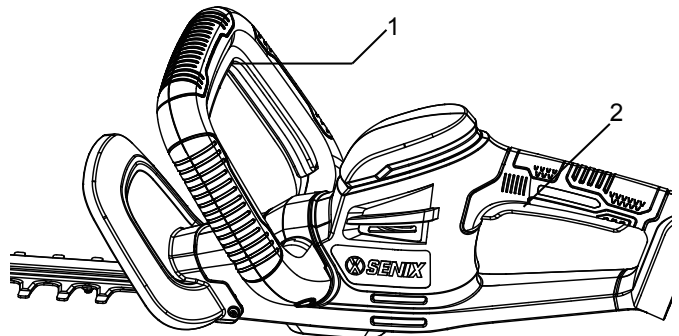
SWITCHING ON AND OFF

Hold the product as in working condition.

To start the product, press the switch trigger and the interlocking switch at the front handle at the same time.

To switch the product off, release the switch trigger or the interlocking switch (Fig. 7).

NOTE: For safety reasons, both the front interlocking switch and the switch trigger must remain pressed during the entire operation.



1-Interlocking switch
2-Switch trigger

Fig. 7

OPERATION

CUTTING PROCEDURE

WARNING:

Always lubricate the cutting blade with protective spray before use and storage.

1. Inspect the area to be cut and remove any foreign objects that will influence your cutting. If the foreign objects can not be removed, e.g. wire fences, please mark and remember it to avoid toughing them during cutting.
2. Run the machine to top speed before cutting.
3. Keep your body and feet in safety distance to cutting head.

CUTTING TIPS

WARNING:

Never cut near electric cords or lines. If blade jams on any electrical cord or line, **DO NOT TOUCH THE BLADE! IT CAN BECOME ELECTRICALLY LIVE AND VERY DANGEROUS.** Continue to hold the hedge trimmer by the insulated rear handle or lay it down and away from you in a safe manner. Disconnect the electrical service to the damaged line or cord before attempting to free the blade from the line or cord. Contact with the blade, other conductive parts of the hedge trimmer, or live electric cords or lines will result in death by electrocution or serious injury.

WARNING:

Clear the area to be cut before each use. Remove all objects such as cords, lights, wire, or loose string which can become entangled in the cutting blade and create a risk of serious personal injury.

Before starting the hedge trimmer, hold the unit with both hands with the cutting blades directed away from you. Always use the hedge trimmer properly.

Do not force the hedge trimmer through heavy shrubbery. This can cause the blades to bind and slow down. If the blades slow down, reduce the pace.

Do not try to cut stems or twigs that are larger than 3/4 in. thick, or those obviously too large to feed into the cutting blade. Use a non-powered hand saw or pruning saw to trim large stems.

If blades do become jammed, stop the product, allow the blades to stop and remove the battery pack before attempting to remove the obstruction.

If desired, you can use a string to help cut your hedge level. Decide how high you want the hedge.

Then, stretch a piece of string along the hedge at this height. Trim the hedge just above this guide line of string. Trim the side of a hedge so that it will be slightly narrower at the top. More of the hedge will be exposed

when shaped this way, and it will be more uniform.

Always hold hedge trimmer with both hands when operating. Use a firm grip on the handles. The unit is used for cutting in either direction in a slow, sweeping action from side to side.

WARNING:

Always keep both hands on the hedge trimmer handles. Never hold shrubs with one hand and operate the hedge trimmer with the other. Improper operation of the hedge trimmer could result in serious injury.

Wear gloves when trimming thorny or prickly growth.

When trimming new growth, use a wide sweeping action, so that the stems are fed directly into the cutting blade. Older growth will have thicker stems and will be trimmed easiest by using a sawing movement.

The risk of the operation may occurs, such as the sharp tree branches may cut the user's skin, the blade of the unit may hurt the user's body. Always wear eye, hearing, hand, foot and body protection to reduce the risk of injury when operating this unit.

MAINTENANCE

! WARNING:

Remove and pull out the battery pack before maintenance!

Wear protective gloves!

Maintain this product regularly and carefully! If the product is improperly maintained, it may fail at its intended task, which may produce fatal consequences.

! WARNING:

Wear protective clothing and observe all safety instructions to prevent serious personal injury.

1. Keep the product clean. Remove debris from it after each use and before storage.
2. Regular and proper cleaning will help ensure safe use and prolong the life of the product.
3. Inspect the product before each use for worn and damaged parts. Do not operate it if you find broken and worn parts.

! WARNING:

Only perform repairs and maintenance work according to these instructions! All further works must be performed by a qualified specialist!

MAINTENANCE OF BATTERY PACK

1. If the battery is empty and the product is switched off automatically, do not continue to press the switch trigger.
2. Charging the battery only after the battery pack is cooled down.
3. Charging the battery completely if the product will not be used for long time.
4. Charging the battery at least every 6 months to maintain the optimal capacity.

LUBRICATING THE BLADE

! WARNING:

Always allow the blades of the hedge trimmer to come to a stop and remove and pull out the battery pack before lubricating. Failure to do so could result in accidental starting causing possible serious personal injury.

For easier operation and longer blade life, lubricate the hedge trimmer blade before and after each use.

Lay the hedge trimmer on a flat surface. Apply light weight machine oil along the edge of the top blade.

NOTE: If you will be using the hedge trimmer for an extended time, it is advisable to oil the blade periodically.

Stop the hedge trimmer.

Remove and pull out the battery pack from the product. Lubricate the hedge trimmer as described above(Fig.8).

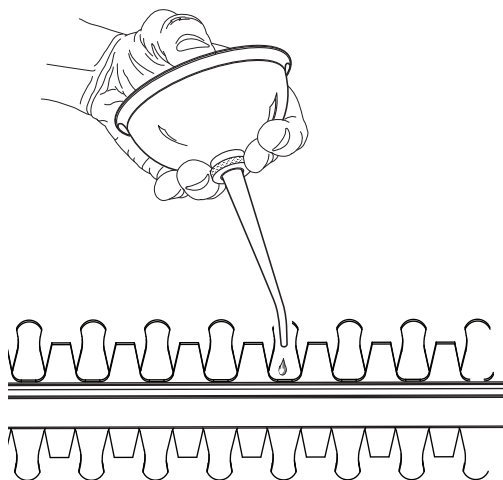
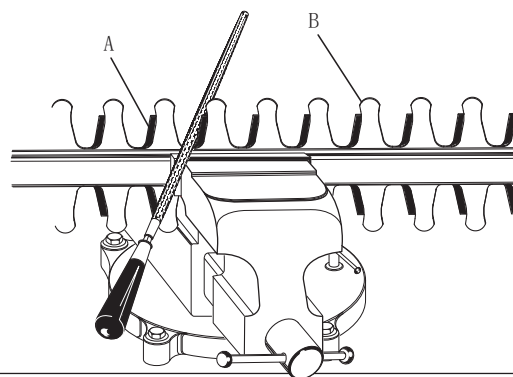


Fig. 8

SHARPENING THE BLADE

Allow the blades of the hedge trimmer to come to a stop in the position shown. This will allow clearance for the file between the cutter teeth and the guard teeth. Remove and pulling out the battery pack from the product.

Clamp the blade assembly in a vise and file the exposed cutting surface of each blade tooth with an 8 in. smooth round file, 1/4 in. or 7/32 in. in diameter. Be sure to retain the original angle of the tooth when filing. In order to file both sides of each cutter tooth, you may need to momentarily run the hedge trimmer until the opposing side of the cutter teeth are exposed. Do not run the hedge trimmer while it is locked into the vise. Make sure all tools for sharpening have been removed before installing the battery. Remove the battery pack and repeat the sharpening process for the newly exposed teeth.(Fig.9).



A - Cutting teeth
B - Guard teeth

Fig. 9

During the maintenance, users should take care of their safety. Always wear eye, hearing, hand, foot and body protection to reduce the risk of injury when operating this unit. And check the unit that it can work normally after the maintenance. If any deterioration occurs, follow the maintenance according to this instruction!

CLEANING AND STORAGE

CLEANING

WARNING:

Always switch the product off, remove and pull out the battery pack from the product and let the product cool down before performing inspection, maintenance and cleaning work!

Use a small brush to clean the outside of the unit. Do not use strong detergents. Household cleaners that contain aromatic oils such as pine and lemon, and solvents such as kerosene, can damage plastic. Wipe off any moisture with a soft cloth.

Inspect the product before and after each use for worn and damaged parts. Do not operate it if you find worn and damaged parts.

NOTE: If the cutting blade is blocked by foreign objects during the operating, stop the product, wait for the cutting blade stops entirely, remove the foreign objects and clean the cutting blade.

WARNING:

Only perform repairs and maintenance work according to these instructions! All further works must be performed by a qualified specialist!

STORAGE

1. Clean the product as described above.
2. Store the product and its accessories in a dark, dry, frost-free, well-ventilated place.
3. Always store the product in a place that is inaccessible to children. The ideal storage temperature is between 10 °C and 30 °C.
4. We recommend using the original package for storage or covering the product with a suitable cloth or enclosure to protect it against dust.

TRANSPORT

1. Clean the product as described above.
2. Always carry the product by its handle.
3. Protect the product from any heavy impact or strong vibrations which may occur during transportation in vehicles.
4. Secure the product to prevent it from slipping or falling over, damage or injury.

DISPOSAL

Waste product should not be disposed of with household waste. Please recycle where facilities exist. Check with your local authority or retailer for recycling advice.

During the operation, the leaf or tree branches may be cut by the unit, users should clean these objects to protect environment.



Electrical products should not be discarded with household products. Used electrical products must be collected separately and disposed of at collection points provided for this purpose. Talk with your local authorities or dealer for advice on recycling.

WARNING:

Installation, operation, or maintenance of the supported product should be carried out only by skilled persons.

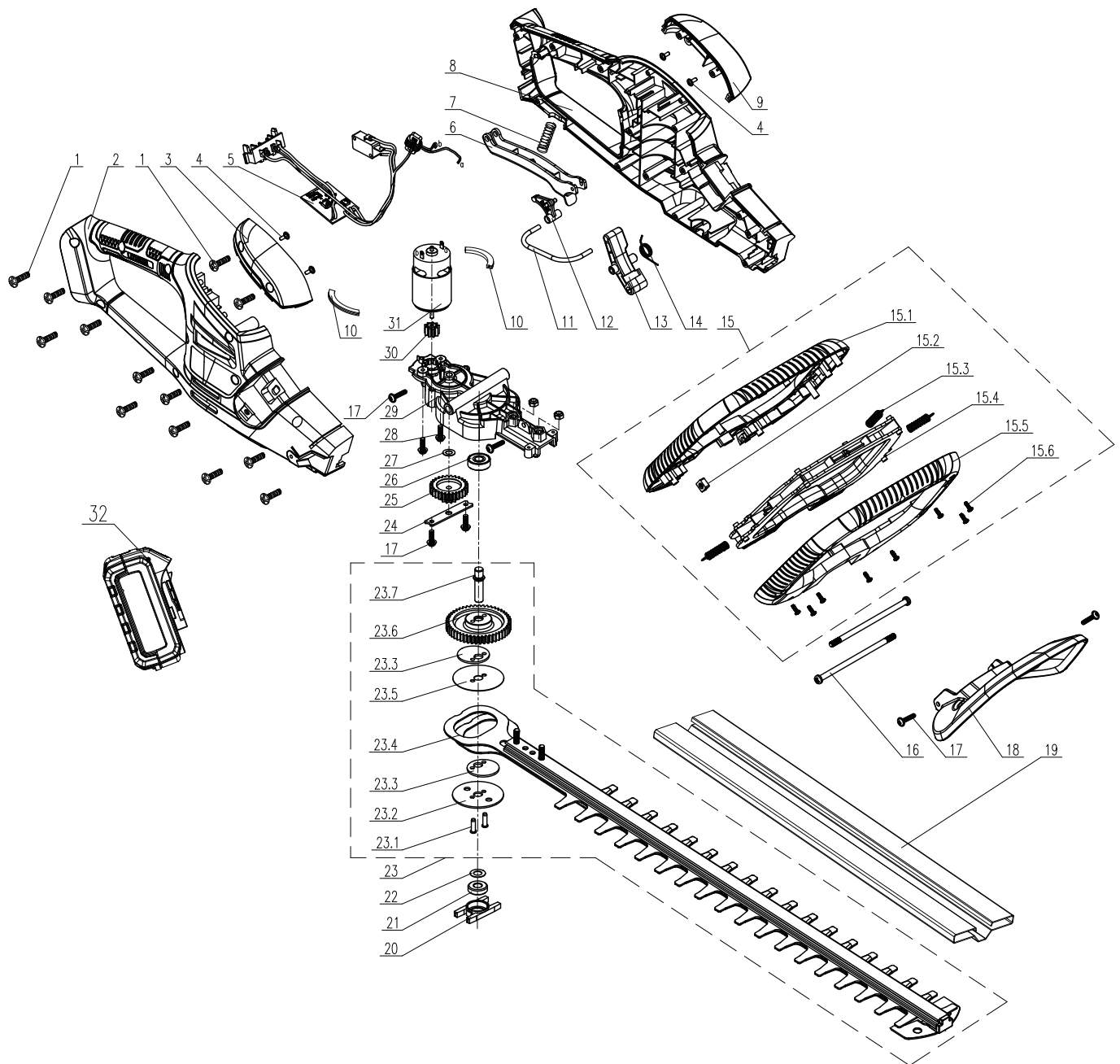
TROUBLESHOOTING

PROBLEM	POSSIBLE CAUSE	SOLUTION
Product does not start	Battery pack not properly attached	Attach properly
	Battery pack capacity too low	Remove and charge battery pack
	Battery pack damaged	Check by a specialist electrician
	Switch trigger or interlocking switch not set on ON position	Refer to chapter "SWITCHING ON AND OFF"
Product does not reach full power	Battery pack capacity too low	Charge battery pack
	Air vents are blocked	Clean the air vents
Result is unsatisfactory	Cutting attachment is worn	Replace with a new one
Vibration or noise is excessive	Bolts/nuts are loose	Tighten bolts/nuts
Product suddenly stops	Battery pack capacity too low	Remove and charge battery pack
	Battery too hot	Remove battery pack and let it cool down

If further assistance is required, take the unit to a qualified service dealer.

PARTS

Model: HTX2-M-EU



PARTS

No.	Part #	Description	Qty.
1	8SJGB40-16	Self tapping screw	13
2	A043027-012-00	Right housing	1
3	A043027-015-00	Right decorative covers	1
4	8SNAB30-10	Flange head self tapping screw	4
5	A043027-009-00	Electronic component	1
6	8044-530202-00	Switch trigger	1
7	8342-740201-00	Switch spring	1
8	A043027-011-00	Left housing	1
9	A043027-014-00	Left decorative covers	1
10	8341-751502-00	Motor damping pad	2
11	A043027-008-00	Steel wire rod	1
12	8043-532001-00	Rotating rod	1
13	A043027-013-00	Rotating rod	1
14	8342-921201-02	Torsional spring	1
15	A043015-019-00	Handle component	1
15.1	A043015-023-00	Upper handle	1
15.2	8207-531601-00	Square nut	1
15.3	8342-531601-00	Spring	3
15.4	A043015-025-00	Interlocking switch	1
15.5	A043015-024-00	Lower Handle	1
15.6	8SJAB30-12	Self tapping screw	8
16	8206-531601-00	Handle screw	2
17	8206-000001-00	Non-skid self tapping screw with flange	6
18	A043027-020-00	Guard	1
19	A043027-022-00	Blade cover	1
20	8301-534101-00	Bearing fixed pad	1
21	8BC-190806-ST	Bearing	1
22	8321-931302-00	Antifriction mat	1
23	A043027-023-00	Big gear blade component	1
23.1	8086-531501-00	Pin	2
23.2	8325-531503-00	Press plate	1
23.3	8124-753801-00	Eccentric gear	2
23.4	A043027-002-00	Blade component	1
23.5	8321-531501-00	Blade gasket	1
23.6	8123-753801-00	Big gear	1
23.7	8085-754402-00	Output shaft	1
24	8181-753801-00	Press plate	1
25	8123-753101-02	Duplicate gear	1
26	8BC-220807-ST	Bearing	1
27	8202-753201-00	Flat washer	1
28	8SJAN04-14	Screw	2
29	A043027-010-00	Gear box	1
30	8123-755201-01	Motor gear	1
31	A043027-006-00	Motor component	1
32	Z011061	Battery pack	1

