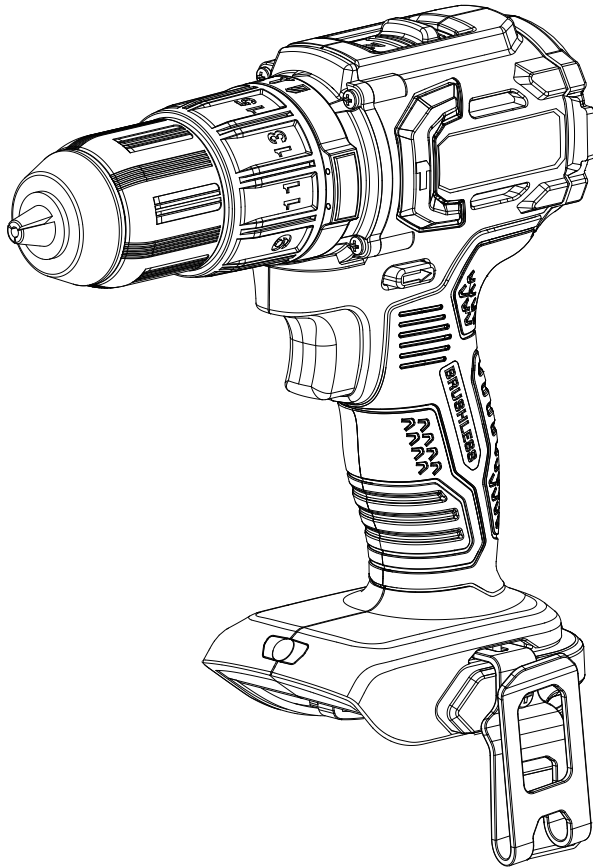




20V MAX LITHIUM-ION BRUSHLESS HAMMER DRILL

Model:PDHX2-M2-EU
PDHX2-M2-EU-0



For customer service please find all information on www.senixtools.com
CAUTION: BEFORE USING THIS PRODUCT, READ THIS MANUAL AND
FOLLOW ALL ITS SAFETY RULES AND OPERATING INSTRUCTIONS.

ORIGINAL INSTRUCTIONS

TABLE OF CONTENTS

SAFETY & INTERNATIONAL SYMBOLS	2
SAFETY INSTRUCTIONS.....	3
KNOW YOUR UNIT.....	11
SPECIFICATIONS*.....	12
ASSEMBLY.....	13
OPERATION.....	15
MAINTENANCE.....	18
TROUBLESHOOTING.....	19

SAFETY & INTERNATIONAL SYMBOLS

Explanation of Safety & international symbols describes safety and international symbols and pictographs that may appear on this product. Read the operator's manual for complete safety, assembly, operating and maintenance and repair information.



Caution / Warning.



To reduce the risk of injury, user must read instruction manual.



Wear eye protection.



Wear a dust mask.



Wear safety footwear.



Wear protective gloves.



Do not dispose of battery packs in rivers or immerse in water.



Do not dispose of battery packs in fire. They will explode and cause injury.



Use and store the battery within a temperature below 50°C.



Do not disassemble, crush, heat above 100°C; Never expose the battery to microwaves or high pressures.



Keep bystanders a safe distance away from the work area.



Indoor use only. Only use battery charger indoors.



Single mark of circulation of products on the market of the Member States of the Customs Union.



Waste electrical products should not be disposed of with household waste. Please recycle where facilities exist. Check with your Local Authority or local store for recycling advice.



Crossed out dust bin. Batteries and battery packs should not be disposed of with household waste. Please recycle where facilities exist. Check with your Local Authority or local store for recycling advice.

SAFETY INSTRUCTIONS

GENERAL POWER TOOL SAFETY

WARNINGS



WARNING!

Read all safety warnings, instructions, illustrations and specifications, provided with this power tool. Failure to follow all instructions listed below may result in electric shock, fire and/or serious injury.

Save all warnings and instructions for future reference.

The term "power tool" in the warnings refers to your mains-operated (corded) power tool or battery-operated (cordless) power tool.

1) Work Area Safety

- a) **Keep work area clean and well lit.** Cluttered or dark areas invite accidents.
- b) **Do not operate power tools in explosive atmospheres, such as in the presence of flammable liquids, gases or dust.** Power tools create sparks which may ignite the dust or fumes.
- c) **Keep children and bystanders away while operating a power tool.** Distractions can cause you to lose control.

2) Electrical Safety

- a) **Power tool plugs must match the outlet. Never modify the plug in any way. Do not use any adapter plugs with earthed (grounded) power tools.** Unmodified plugs and matching outlets will reduce risk of electric shock.
- b) **Avoid body contact with earthed or grounded surfaces, such as pipes, radiators, ranges and refrigerators.** There is an increased risk of electric shock if your body is earthed or grounded.
- c) **Do not expose power tools to rain or wet conditions.** Water entering a power tool will increase the risk of electric shock.
- d) **Do not abuse the cord. Never use the cord for carrying, pulling or unplugging the power tool. Keep cord away from heat, oil, sharp edges or moving parts.** Damaged or entangled cords increase the risk of electric shock.
- e) **When operating a power tool outdoors, use an extension cord suitable for outdoor use.**

Use of a cord suitable for outdoor use reduces the risk of electric shock.

- f) **If operating a power tool in a damp location is unavoidable, use a residual current device (RCD) protected supply.** Use of an RCD reduces the risk of electric shock.

3) Personal Safety

- a) **Stay alert, watch what you are doing and use common sense when operating a power tool. Do not use a power tool while you are tired or under the influence of drugs, alcohol or medication.** A moment of inattention while operating power tools may result in serious personal injury.
- b) **Use personal protective equipment. Always wear eye protection.** Protective equipment such as a dust mask, non-skid safety shoes, hard hat or hearing protection used for appropriate conditions will reduce personal injuries.
- c) **Prevent unintentional starting. Ensure the switch is in the off-position before connecting to power source and/or battery pack, picking up or carrying**

the tool. Carrying power tools with your finger on the switch or energising power tools that have the switch on invites accidents.

- d) **Remove any adjusting key or wrench before turning the power tool on.** A wrench or a key left attached to a rotating part of the power tool may result in personal injury.
- e) **Do not overreach. Keep proper footing and balance at all times.** This enables better control of the power tool in unexpected situations.
- f) **Dress properly. Do not wear loose clothing or jewellery. Keep your hair and clothing away from moving parts.** Loose clothes, jewellery or long hair can be caught in moving parts.
- g) **If devices are provided for the connection of dust extraction and collection facilities, ensure these are connected and properly used.** Use of dust collection can reduce dust-related hazards.
- h) **Do not let familiarity gained from frequent use of tools allow you to become complacent and ignore tool safety principles.** A careless action can cause severe injury

within a fraction of a second.

4) Power Tool Use And Care

- a) **Do not force the power tool. Use the correct power tool for your application.** The correct power tool will do the job better and safer at the rate for which it was designed.
- b) **Do not use the power tool if the switch does not turn it on and off.** Any power tool that cannot be controlled with the switch is dangerous and must be repaired.
- c) **Disconnect the plug from the power source and/or remove the battery pack, if detachable, from the power tool before making any adjustments, changing accessories, or storing power tools.** Such preventive safety measures reduce the risk of starting the power tool accidentally.
- d) **Store idle power tools out of the reach of children and do not allow persons unfamiliar with the power tool or these instructions to operate the power tool.** Power tools are dangerous in the hands of untrained users.
- e) **Maintain power tools and accessories. Check for misalignment or binding of moving parts, breakage of parts and any other condition that may affect the power tool's operation. If damaged, have the power tool repaired before use.** Many accidents are caused by poorly maintained power tools.
- f) **Keep cutting tools sharp and clean.** Properly maintained cutting tools with sharp cutting edges are less likely to bind and are easier to control.
- g) **Use the power tool, accessories and tool bits etc. in accordance with these instructions, taking into account the working conditions and the work to be performed.** Use of the power tool for operations different from those intended could result in a hazardous situation.
- h) **Keep handles and grasping surfaces dry, clean and free from oil and grease.** Slippery handles and grasping surfaces do not allow for safe handling and control of the tool in unexpected situations.

5) Battery Tool Use And Care

- a) **Recharge only with the charger specified by the manufacturer.** A charger that is suitable for one type of battery pack may create a risk of fire when used with another battery pack.
- b) **Use power tools only with specifically designated battery packs.** Use of any other battery packs may create a risk of injury and fire.
- c) **When battery pack is not in use, keep it away from other metal objects, like paper clips, coins, keys, nails, screws or other small metal objects, that can make a connection from one terminal to another.** Shorting the battery terminals together may cause burns or a fire.
- d) **Under abusive conditions, liquid may be ejected from the battery; avoid contact. If contact accidentally occurs, flush with water. If liquid contacts eyes, additionally seek medical help.** Liquid ejected from the battery may cause irritation or burns.
- e) **Do not use a battery pack or tool that is damaged**

or modified. Damaged or modified batteries may exhibit unpredictable behaviour resulting in fire, explosion or risk of injury.

- f) **Do not expose a battery pack or tool to fire or excessive temperature.** Exposure to fire or temperature above 130 °C may cause explosion.
 - g) **Follow all charging instructions and do not charge the battery pack or tool outside the temperature range specified in the instructions.** Charging improperly or at temperatures outside the specified range may damage the battery and increase the risk of fire.
- ## 6) Service
- a) **Have your power tool serviced by a qualified repair person using only identical replacement parts.** This will ensure that the safety of the power tool is maintained.
 - b) **Never service damaged battery packs.** Service of battery packs should only be performed by the manufacturer or authorized service providers.

SAFETY WARNINGS FOR DRILL

1) Safety Instructions For All Operations

- a) Hold the power tool by insulated gripping surfaces, when performing an operation where the cutting accessory or fasteners may contact hidden wiring. Cutting accessory or fasteners contacting a "live" wire may make exposed metal parts of the power tool "live" and could give the operator an electric shock.

2) Safety Instructions When Using Long Drill Bits

- a) Never operate at higher speed than the maximum speed rating of the drill bit. At higher speeds, the bit is likely to bend if allowed to rotate freely without contacting the workpiece, resulting in personal injury.
- b) Always start drilling at low speed and with the bit tip in contact with the workpiece. At higher speeds, the bit is likely to bend if allowed to rotate freely without contacting the workpiece, resulting in personal injury.
- c) Apply pressure only in direct line with the bit and do not apply

excessive pressure. Bits can bend causing breakage or loss of control, resulting in personal injury.

3) Dust/Chip Extraction

Dust from materials such as lead-containing coatings, some wood types, minerals and metal can be harmful to one's health. Touching or breathing-in the dust can cause allergic reactions and/or lead to respiratory infections of the user or bystanders. Certain dust, such as oak or beech dust, is considered carcinogenic, especially in connection with wood-treatment additives (chromate, wood preservative). Materials containing asbestos may only be worked by specialists.

- a) Provide for good ventilation of the working place.
- b) It is recommended to wear a P2 filter-class respirator.
- c) Observe the relevant regulations in your country for the materials to be worked.
- d) Avoid dust accumulation at the workplace. Dust can easily ignite.

ADDITIONAL SAFETY INFORMATION FOR DRILL

- a) Secure the workpiece. A workpiece clamped with clamping devices or in a vice is held more secure than by hand.
- b) Always wait until the power tool has come to a complete stop before placing it down. The application tool can jam and cause you to lose control of the power tool.
- c) Switch the power tool off immediately if the application tool becomes blocked. Be prepared for high torque reactions which cause kickback. The application tool becomes blocked when it becomes jammed in the workpiece or when the power tool becomes overloaded.
- d) Use suitable detectors to determine if there are hidden supply lines or contact the local utility company for assistance. Contact with electric cables can cause fire and electric shock. Damaging gas lines can lead to explosion. Breaking water pipes causes property damage.
- e) Hold the power tool securely. When tightening and loosening screws be prepared for temporarily high torque reactions.
- f) In case of damage and improper use of the battery, vapours may be emitted. The battery can set alight or explode. Ensure the area is well ventilated and seek medical attention should you experience any adverse effects. The vapours may irritate the respiratory system.
- g) Do not open the battery. There is a risk of short-circuiting.
- h) The battery can be damaged by pointed objects such as nails or screwdrivers or by force applied externally. An internal short circuit may occur, causing the battery to burn, smoke, explode or overheat.
- i) Only use the battery with products from the manufacturer. This is the only way in which you can protect the battery against dangerous overload.

SAFETY WARNING FOR BATTERY PACK AND BATTERY CHARGER

- Recharge only with the charger specified by the manufacturer. A charger that is suitable for one type of battery pack may create a risk of fire when used with another battery pack.

- Use appliances only with specifically designated battery packs. Use of any other battery packs may create a risk of injury and fire.

 **WARNING!**

Only use following batteries: B20X2/ B25X2/B40X2/B50X2.

- When battery pack is not in use, keep it away from other metal objects, like paper clips, coins, keys, nails, screws or other small metal objects, that can make a connection from one terminal to another. Shorting the battery terminals together may cause burns or a fire.
- Under abusive conditions, liquid may be ejected from the battery; avoid contact. If contact accidentally occurs, flush with water. If liquid contacts eyes, additionally seek medical help. Liquid ejected from the battery may cause irritation or burns. (This advice is considered correct for conventional NiMh, NiCd, lead acid and lithium-ion cell types. If this advice is incorrect for a cell design that differs from these, then the correct advice may be substituted.)
- Do not use a battery pack or appliance that is damaged or modified. Damaged or modified batteries may exhibit unpredictable behavior resulting in fire, explosion or risk of injury.
- Do not expose a battery pack or appliance to fire or excessive temperature. Exposure to fire or temperature above 130°C may cause explosion.
- Follow all charging instructions and do not charge the battery pack or appliance outside of the temperature range specified in the instructions. Charging improperly or at temperatures outside of the specified range may damage the battery and increase the risk of fire.
- Do not modify or attempt to repair the appliance or the battery pack (as applicable) except as indicated in the instructions for use and care.

VIBRATION + NOISE REDUCTION

To reduce the impact of noise and vibration emission, limit the time of operation, use low-vibration and low-noise operating modes as well as wear personal protective equipment. Take the following points into account to minimise the vibration

and noise exposure risks.

- Only use the product as intended by its design and these instructions.
- Ensure that the product is in good condition and well maintained.
- Use correct attachments for the product and ensure they are in good condition.
- Keep tight grip on the handles/ grip surface.
- Maintain this product in accordance with these instructions and keep it well lubricated (where appropriate).
- Plan your work schedule to spread any high vibration tool use across a longer period of time.

EMERGENCY

Familiarize yourself with the use of this product by means of this instruction manual. Memorize the safety directions and follow them to the letter. This will help to prevent risks and hazards.

- Always be alert when using this product, so that you can recognize and handle risks early. Fast intervention can prevent serious injury and damage to property.

- Switch off the product and remove the battery pack if there are malfunctions. Have the product checked by a qualified professional and repaired, if necessary, before you operate it again.

INTENDED USE

This 18V cordless impact drill is intended for drilling in wood and metal and masonry materials with drill bits and driving screws into wood and drywall with scwdriver bits. Do not use it for other purposes.

KNOW YOUR UNIT

APPLICATIONS

Model: PDHX2-M2-EU

As a cordless hammer driver:

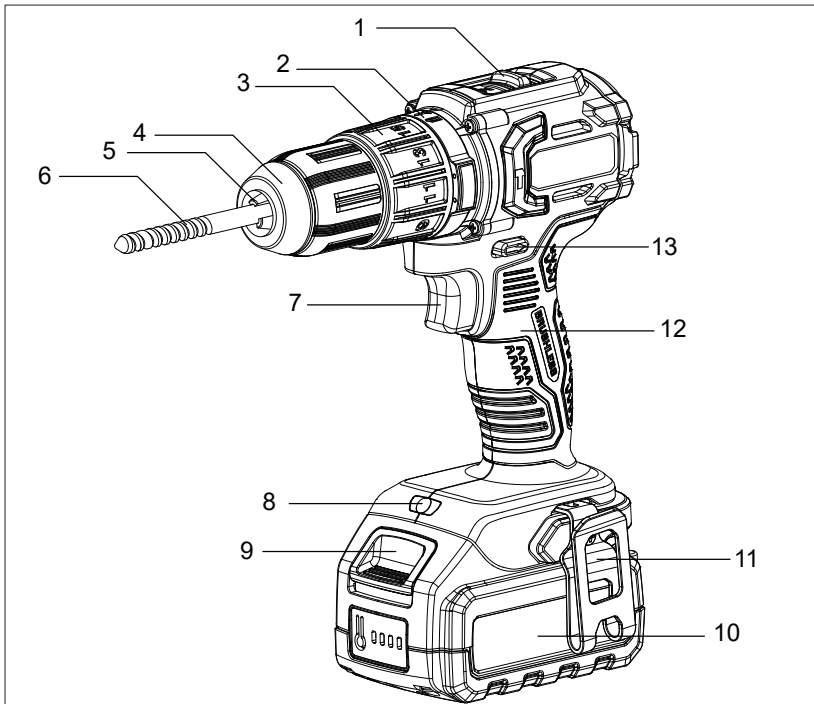
Drilling in wood, metal products even masonry with drill bits;

Driving screws into wood, metal and drywall with screwdriver bits.



NOTE:

PDHX2-M2-EU-0 does not include charger and battery pack.



1. Speed Selector
2. Function Selector
3. Torque Ring
4. Chuck
5. Jaw
6. Bit
7. Switch Trigger

8. Work Light
9. Unlock Button
10. Battery Pack
11. Belt Clip
12. Handle
13. Reversing Lever

SPECIFICATIONS*

Model	PDHX2-M2-EU			
Rated voltage	18 V d.c.			
Rated speed	Low: 0-600 rpm High: 0-2000rpm			
Chuck capacity	Ø 2 mm-13 mm			
Max. drill capacity	Wood: 38 mm Steel: 13 mm Masonry: 13 mm			
Max. torque	70 N.m			
Weight without battery	1.25 kg			
Battery model	B20X2	B25X2	B40X2	B50X2
Rated voltage	18 V	18 V	18 V	18 V
Rated capacity	2.0 Ah	2.5 Ah	4.0 Ah	5.0 Ah
Weight	0.34 kg	0.34 kg	0.65 kg	0.65 kg
Charger model	CHX2-L-EU		CHQX2-L1-EU	
Rated input	100-240 V ~ 50/60 Hz			
Rated output	21 V, 2 A		21 V, 4 A	
Charging time (for 2.0 Ah battery)	70±5mins		40±5mins	
Charging time (for 2.5 Ah battery)	58±5mins		48±5mins	
Charging time (for 4.0 Ah battery)	130±5mins		70±5mins	
Charging time (for 5.0 Ah battery)	160±5mins		85±5mins	
Protection class (for charger)	/ II			
Weight	0.34 kg		0.48 kg	

ASSEMBLY

1. Unpack all parts and lay them on a flat, stable surface:
2. Remove all packing materials and shipping devices, if applicable.
3. The scope of delivery varies depending on the country and purchased variant:
Model of PDHX2-M2-EU
 - Hammer drill x1
 - Instruction manual x1
 - Bit x1
 - Belt clip x1
 - Screw x1
 - Battery pack x1
 - Charger x1
4. If you find that parts are missing or show damage do not use the product but contact your dealer. Using an incomplete or damaged product represents a hazard to people and property.
5. Ensure that you have all the accessories and tools needed for assembly and operation. This also includes suitable personal protective equipment.



NOTE:

PDHX2-M2-EU-0 does not include the charger and the battery pack.



WARNING:



Wear protective gloves for this assembly work and always lay the product on a flat and stable surface while assembling.

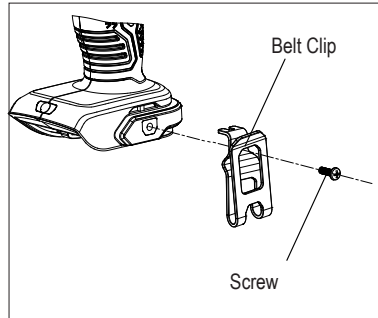


Follow the assembly instructions step-by-step and use the pictures provided as a visual guide to easily assemble the product!

Do not insert the battery pack before the power tool is completely assembled or adjusted!

BELT CLIP

Fix the belt clip to either side of tool by screw. Make sure the belt clip is firmly installed so that it can support the weight of the tool.



BIT



WARNING:

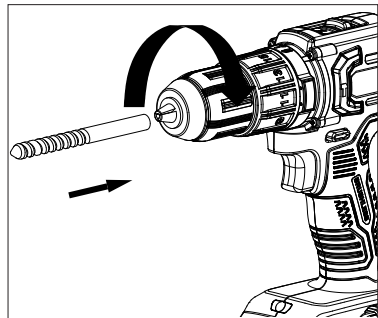
Observe the technical requirements of this product (see section "SPECIFICATIONS") when purchasing and using bit.

Always use special bits according to the work to be performed.

The chuck and the bit can be very hot after working, do not assemble/disassemble them before cooling down.

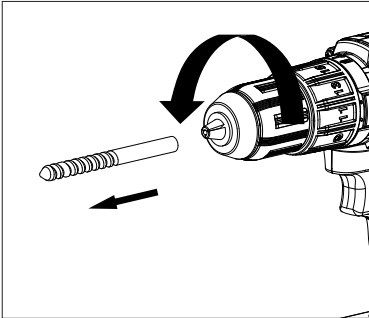
To install:

Turn the chuck clockwise to open the jaw. Align and insert the bit as far as into the jaw. Then turn the chuck counterclockwise so that the jaw bites the bit fixedly.



To remove:

Turn the chuck counterclockwise to open the jaw and pull the bit out of the jaw.



NOTE:

Make sure the bit is fixed firmly and will never come out before use.

BATTERY PACK

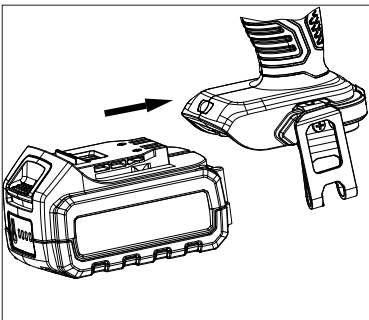


NOTE:

Prior to installation, lock the switch trigger by the reversing lever to avoid unintentional start.

To install:

Align and slide the battery pack to the docking port until it is locked in place.



To remove:

Press the unlock button on battery pack and slide the battery pack out.

OPERATION



WARNING:

Always wear eye, hearing, hand protection to reduce the risk of injury when operating the tool. Keep all parts of your body away from the rotating bit.

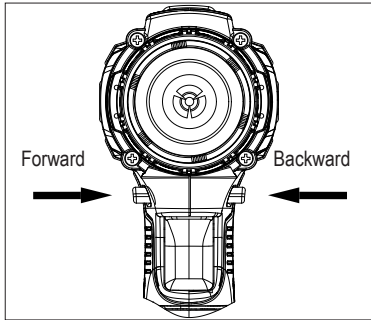
RUNNING DIRECTION

The motor runs forward or backward for driving the bit in or out. It is controlled by the reversing lever.



WARNING:

Do not change rotation direction while chuck is rotating.



Mode	Application
Forward	Driving screws or drill
Backward	Loosening jammed screws or drill bits
Center Lock	Locking the trigger

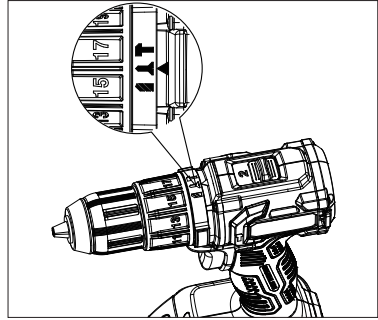


NOTE:

When changing bits or when the tool is not in use, the reversing lever shall be kept in "locking" position to avoid unintended start.

FUNCTION

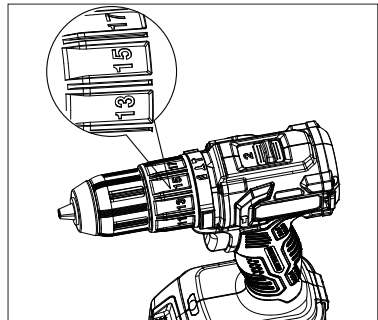
Rotate the mode selector so the arrow is pointing to desired mode.



Mode	Setting	Application
Driving		Driving screws, bolts.
Drilling		Drilling in wood and metal.
Impact Drilling		Drilling in masonry.

TORQUE

Select a suitable torque value from 1 to 17 for screw driving by the torque ring. Rotate the ring until the arrow points at the desired one among 19 stages. The screw will be stopped once the preset torque is reached.



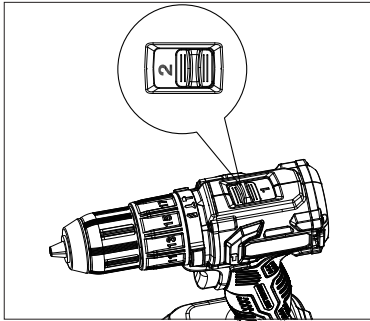
NOTE:

The torque required depends on the type and size of the fastener to be driven, as well as the material to be driven into.

SPEED SETTING

Mode	Setting	Application
Low Speed	Select 1	0-600/min
High Speed	Select 2	0-2000/min

The tool reaches higher speed when push the speed selector to "2".



WARNING:

Only press the speed selector when the power tool is completely stop.

SWITCHING ON/OFF

1. Press the switch trigger to switch on the power tool. It will stop when the trigger is released.
2. Apply more pressure to the trigger leads to a faster spindle running under current speed setting.
3. The work light which helps for the visibility near the bit automatically turns on when trigger is pressed and turns off a few seconds after tool stop.

HOW TO CHARGE THE BATTERY PACK



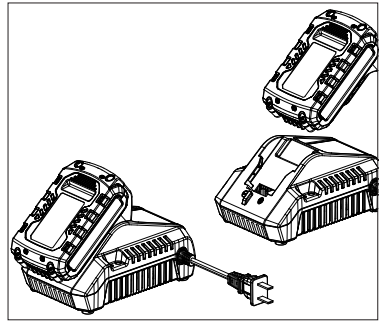
WARNING:

This Lithium-Ion battery pack is shipped partially charged. Fully charge the battery pack before using it for the first time.



NOTE:

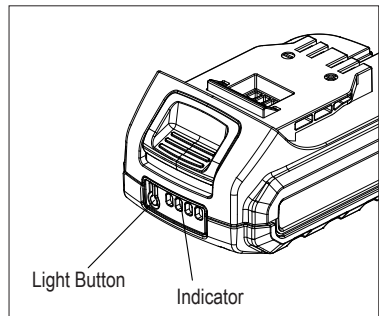
Charge batteries at a ambient temperature of 0°C-40°C.











1. Charge the Lithium-Ion battery pack only with the correct charger.
2. Connect the charger to a power supply, the light indicator of the charger turns red.
3. Align the raised ribs of the battery pack with the slot in the charger.
4. Insert the battery pack into the charger, the light indicator of the charger turns green and it flashes.
5. The charger will communicate with the battery pack to evaluate the condition of the battery pack.
6. It is fully charged that the four lights of the battery turn on. Disconnect the power supply from the charger. Remove battery pack from the charger.

CHARGING INDICATOR

Press the light button on the battery pack to check whether it needs to charge.



Lights			Remaining Capacity
Lighted	Off	Blinking	
			
			75% - 100%
			50% - 75%
			25% - 50%
			5% - 25%
			< 5% (need to be charged)



WARNING:

Malfunctions may occur when the four lights blink in turns.

OVERHEAT PROTECTION

When the tool/battery is overheated, the tool stops automatically. In this situation, let the power tool/battery cool before turning the tool on again.

OVERDISCHARGE PROTECTION

When the battery capacity is not enough, the tool stops automatically. In this case, remove the battery from the tool and charge the battery.

PRACTICAL ADVICES


1) General

- Ensure the tool is fitted with a suitable bit for current work and the reversing lever is at center lock position before start.
- Always keep the product perpendicular to the workpiece. Otherwise, bit is more likely to slip or be jammed in turn causing tool damage.
- Place the power tool in a start position first and then switch the product on.
- The feeding force and running speed depends on tool characteristics and the workpiece material. Excessive

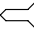
feeding force will overload the power tool and increase the risk of losing control. Ask an power tool specialist for advice if necessary.

- If the tool gets stuck in workpiece, switch off and try to perpendicularly draw it out with slight force to avoid damage. If this does not work, switch to backward mode, run the tool at a low speed and perpendicularly draw out with slight force.
- Check the power tool and its clamping status regularly during work. Refit or replace it if necessary.


2) Wood/Metal Drilling

- Attach a bit specially for drilling and set the function selector to "".
- Pre-drill larger holes with a small diameter drill bit in advance for a easier operation and better result.
- In order to prevent the bit from slipping, punch a point beforehand especially when drilling metals.
- Start with a low speed. Gradually increase speed as drill bit bites into wood.
- When drilling through holes, place a block or wood behind the workpiece to prevent ragged edges on the back side of the hole.
- If necessary, use a cooling lubricant when drilling metal.

3) Screw Driving

- Attach a screwdriver bit and set the function selector to "".
- Select a proper torque according to the type and size of screw and material of workpiece.
- Pre-drill a hole of proper diameter and depth before driving big screws into workpiece.
- Hold the tool perpendicular to the screw head and keep the bit tip well fitted into the screw recess, then switch ton the tool.
- Start at a low speed. Gradually increase speed as the screw driven in.
- Remove a jammed screw in the backward mode.

4) Masonry Drilling

- Install a special bit for masonry drilling and set the function selector to "".
- Drill evenly keeping a uniform force on the drill, don't force too much otherwise some brittle materials are likely to be cracked.
- If you are experiencing a smooth, even flow of dust, that indicates a good drill rate is applied.
- Occasionally pull the bit out to clean dust and chips if you are drilling a deep bore hole into masonry.



WARNING:

Only perform cleaning and maintenance work according to these instructions!
All further works must be performed by a qualified specialist!



WARNING:

TO PREVENT SERIOUS INJURY FROM ACCIDENTAL OPERATION: Make sure the trigger is locked and battery pack is removed before performing any procedure in this section.
TO PREVENT SERIOUS INJURY FROM TOOL FAILURE: Do not use damaged equipments. If abnormal noise or vibration occurs, have the problem corrected before further use.

There are no user-serviceable parts in your power tool.

If any of following condition are found, stop using it and send it to the authorized service center for repair.

- leaking, swollen, or cracked battery pack
- loose hardware
- misalignment or binding of accessories.
- cracked or broken parts.
- any other condition that may affect its safe operation.

CLEANING

1. Clean dust and debris from air vents.
2. Keep handle clean, dry and free of oil or grease.
3. Make sure the chuck and the jaw are not clogged by debris.
4. Remove stubborn dirt from housing with high pressure air (max. 3 bar).



NOTE:

Do not use chemical, alkaline, abrasive or other aggressive detergents or disinfectants to clean this product as they might be harmful to its surfaces.

TRANSPORTATION

1. Only carry by its handle.
2. Protect from any heavy impact or strong vibrations which may occur during transportation in vehicles.
3. Secure to prevent it from slipping or falling over.

STORAGE

1. Clean thoroughly as described above.
2. Store in a dark, dry, frost-free and well-ventilated area that is inaccessible to children. The ideal storage temperature is between 10°C and 30°C.
3. Use original package for storage or cover with a suitable cloth to protect it against dust.



NOTE:

To prolong battery life, store the battery pack separately from the tool in a 30%-50% charged condition. It's recommended to have your battery pack charged at least every 6 months.

DISPOSAL

Waste product should not be disposed of with household waste. Please recycle where facilities exist.

Check with your local authority or retailer for recycling advice.

Users should clean up the chips generated during operation to protect environment.



Electrical products should not be discarded with household products. Used electrical products must be collected separately and disposed of at collection points provided for this purpose. Talk with your local authorities or dealer for advice on recycling.

TROUBLESHOOTING

Suspected malfunctions are often due to causes that the users can fix themselves. Therefore, check the product using this section. In most cases the problem can be solved quickly.

PROBLEM	POSSIBLE CAUSE	SOLUTION
Product does not start	Reversing lever at cente locking position	Switch the reversing lever to proper side
	Battery pack onot properly attached	Attach properly
	Battery pack discharged	Charge the battery pack
Product does not reach full power	Battery pack capacity too low	Charge the battery pack
	Battery pack reaches its life cycle	Replace with new one
	Incorrect torque setting	Adjust to a proper torque setting
Unsatisfactory result	Drill/screwdriver bit is dull/damaged	Replace with new one
	Drill/screwdriver bit is not suitable for intended operation	Use proper drill/screwdriver bit.

